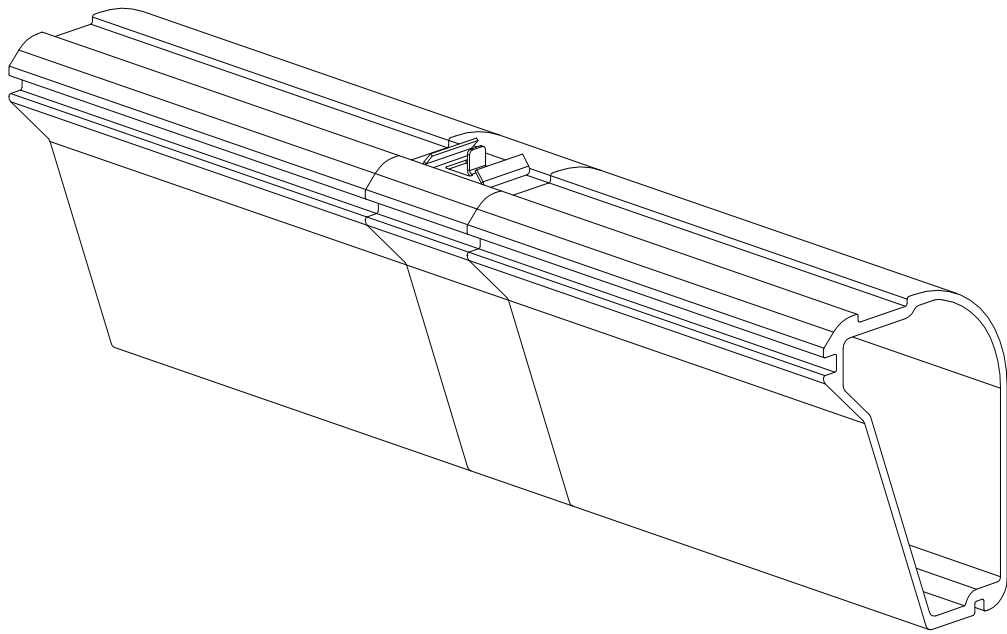
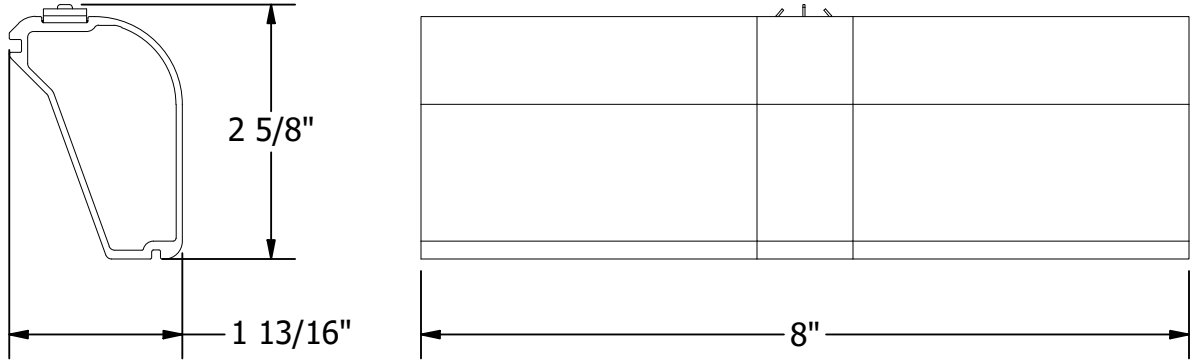


PART # TABLE	
P/N	DESCRIPTION
250120U	SFM TRIM SPLICE ASSEMBLY DARK



SFM TRIMRAIL SPLICE



1411 BROADWAY BLVD. NE
 ALBUQUERQUE, NM 87102 USA
 PHONE: 505.242.6411
 WWW.UNIRAC.COM

PRODUCT LINE:	SFM INFINITY
DRAWING TYPE:	PARTS ASSEMBLY
DESCRIPTION:	TRIMRAIL SPLICE
REVISION DATE:	4/22/2019

DRAWING NOT TO SCALE
 ALL DIMENSIONS ARE
 NOMINAL

PRODUCT PROTECTED BY
 ONE OR MORE US PATENTS
 LEGAL NOTICE

SFM-A10
 SHEET