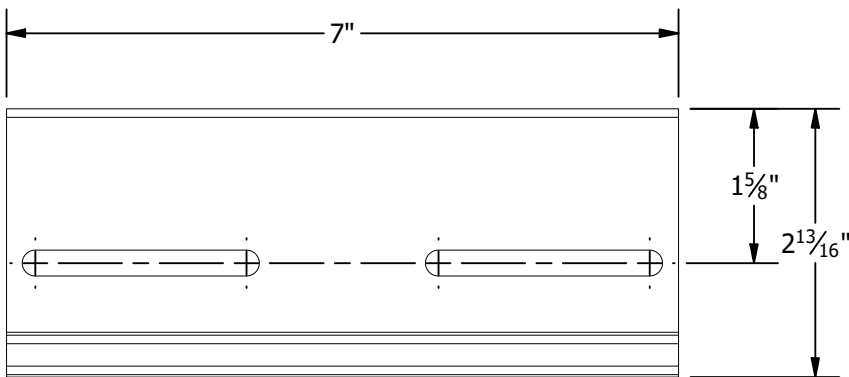
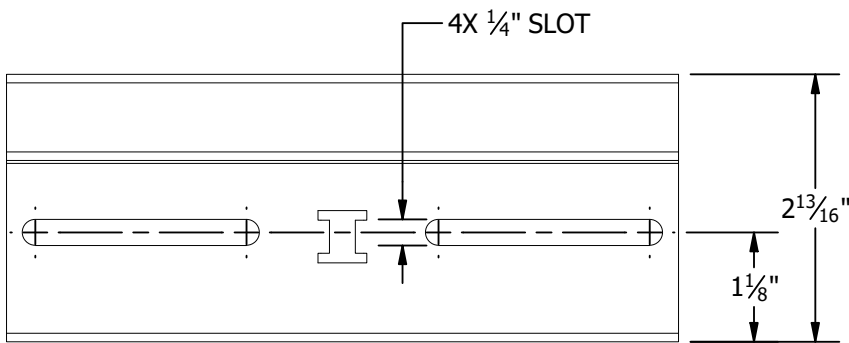
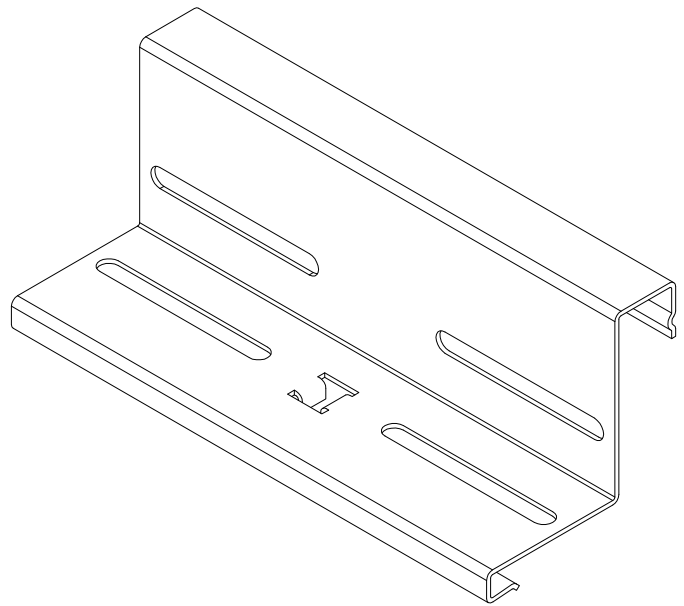


PART # TABLE	
P/N	DESCRIPTION
00802JB	E-BOSS J-BOX MOUNTING BRACKET



UNIRAC[®]
 1411 BROADWAY BLVD. NE
 ALBUQUERQUE, NM 87102 USA
 PHONE: 505.242.6411
 WWW.UNIRAC.COM

PRODUCT LINE:	E-BOSS
DRAWING TYPE:	PART DRAWING
DESCRIPTION:	J-BOX BRACKET
REVISION DATE:	6/24/2019

DRAWING NOT TO SCALE
 ALL DIMENSIONS ARE
 NOMINAL

PRODUCT PROTECTED BY
 ONE OR MORE US PATENTS

LEGAL NOTICE

EB-P01
 SHEET