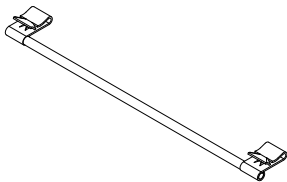
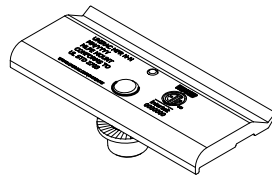


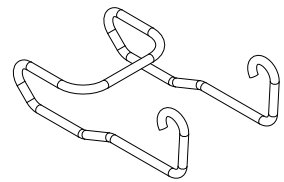
Wire Bonding Clip  
See Page SFMCR-P04



MLPE Mounting Assembly  
See Page SFMCR-P01



Trim Attachment  
See Page SFMCR-P04



1411 BROADWAY BLVD. NE  
ALBUQUERQUE, NM 87102 USA  
PHONE: 505.242.6411  
WWW.UNIRAC.COM

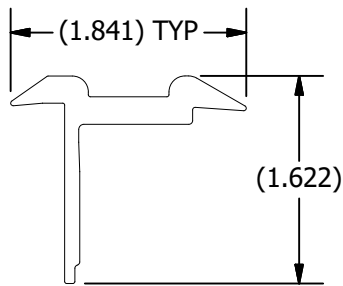
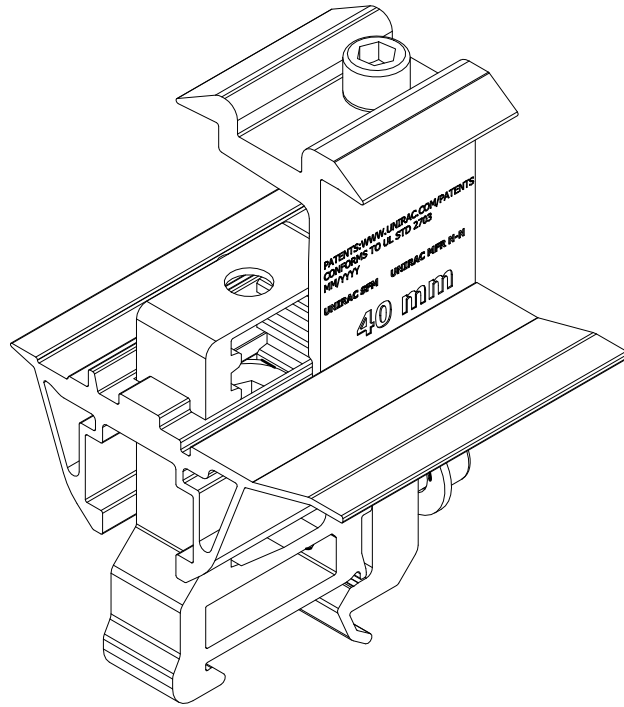
PRODUCT LINE:	SFMCR
DRAWING TYPE:	ASSEMBLY
DESCRIPTION:	SFM LAYOUT EXAMPLE
REVISION DATE:	6/19/2018

DRAWING NOT TO SCALE  
ALL DIMENSIONS ARE  
NOMINAL

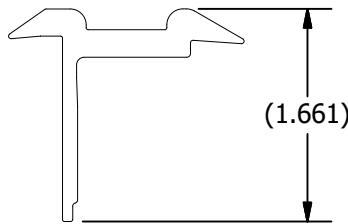
PRODUCT PROTECTED BY  
ONE OR MORE US PATENTS  
LEGAL NOTICE

SFMCR-A01  
SHEET

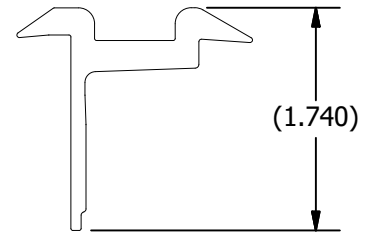
PART # TABLE	
P/N	DESCRIPTION
230332R	SFM MICRORAIL 3" 32MM
230333R	SFM MICRORAIL 3" 33MM
230335R	SFM MICRORAIL 3" 35MM
230338R	SFM MICRORAIL 3" 38MM
230340R	SFM MICRORAIL 3" 40MM
230346R	SFM MICRORAIL 3" 46MM



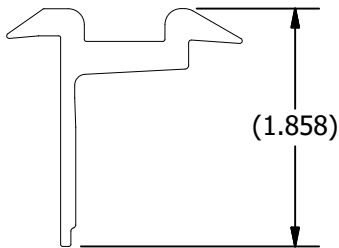
32mm PROFILE



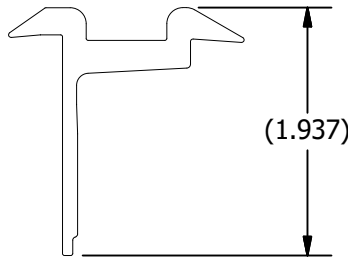
33mm PROFILE



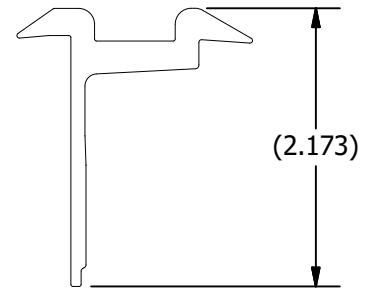
35mm PROFILE



38mm PROFILE



40mm PROFILE



46mm PROFILE



1411 BROADWAY BLVD. NE  
ALBUQUERQUE, NM 87102 USA  
PHONE: 505.242.6411  
WWW.UNIRAC.COM

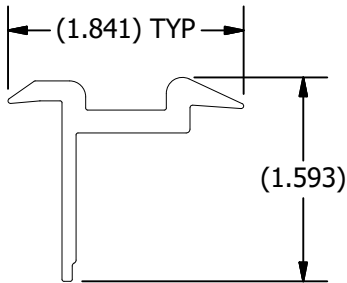
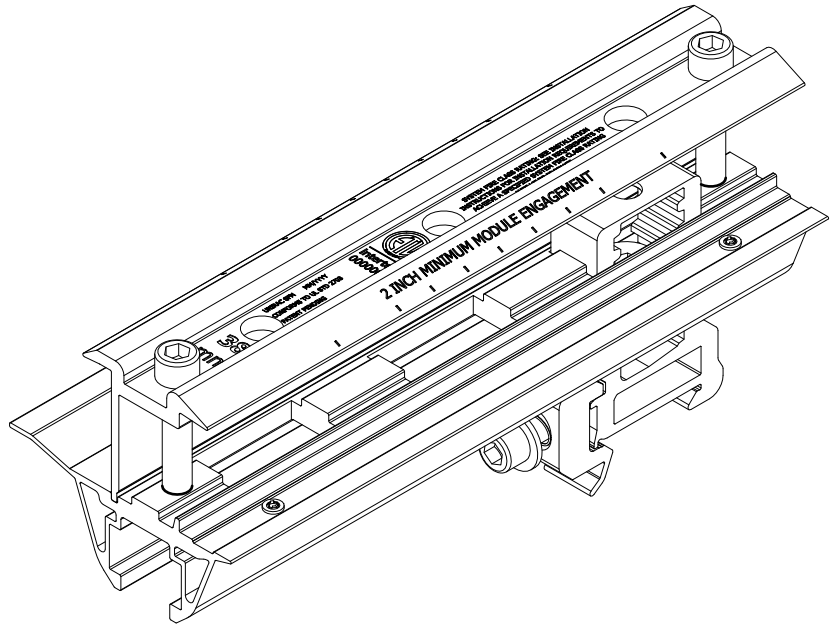
PRODUCT LINE:	SFMCR
DRAWING TYPE:	PARTS ASSEMBLY
DESCRIPTION:	SFM 3" MICRO RAIL ASSEMBLY
REVISION DATE:	6/20/2018

DRAWING NOT TO SCALE  
ALL DIMENSIONS ARE  
NOMINAL

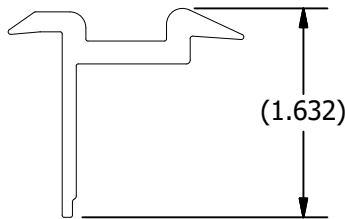
PRODUCT PROTECTED BY  
ONE OR MORE US PATENTS  
LEGAL NOTICE

SFMCR-A02  
SHEET

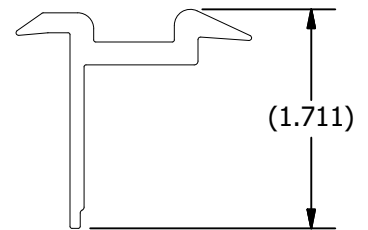
PART # TABLE	
P/N	DESCRIPTION
230132R	SFM ATT SPLICE 9" 32MM
230133R	SFM ATT SPLICE 9" 33MM
230135R	SFM ATT SPLICE 9" 35MM
230138R	SFM ATT SPLICE 9" 38MM
230140R	SFM ATT SPLICE 9" 40MM
230146R	SFM ATT SPLICE 9" 46MM



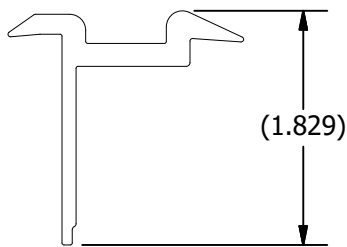
**32mm PROFILE**



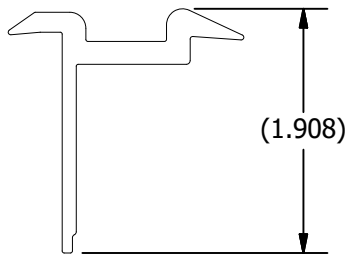
**33mm PROFILE**



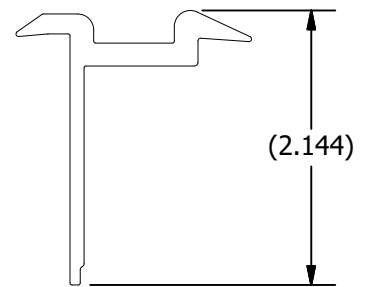
**35mm PROFILE**



**38mm PROFILE**



**40mm PROFILE**



**46mm PROFILE**



1411 BROADWAY BLVD. NE  
ALBUQUERQUE, NM 87102 USA  
PHONE: 505.242.6411  
WWW.UNIRAC.COM

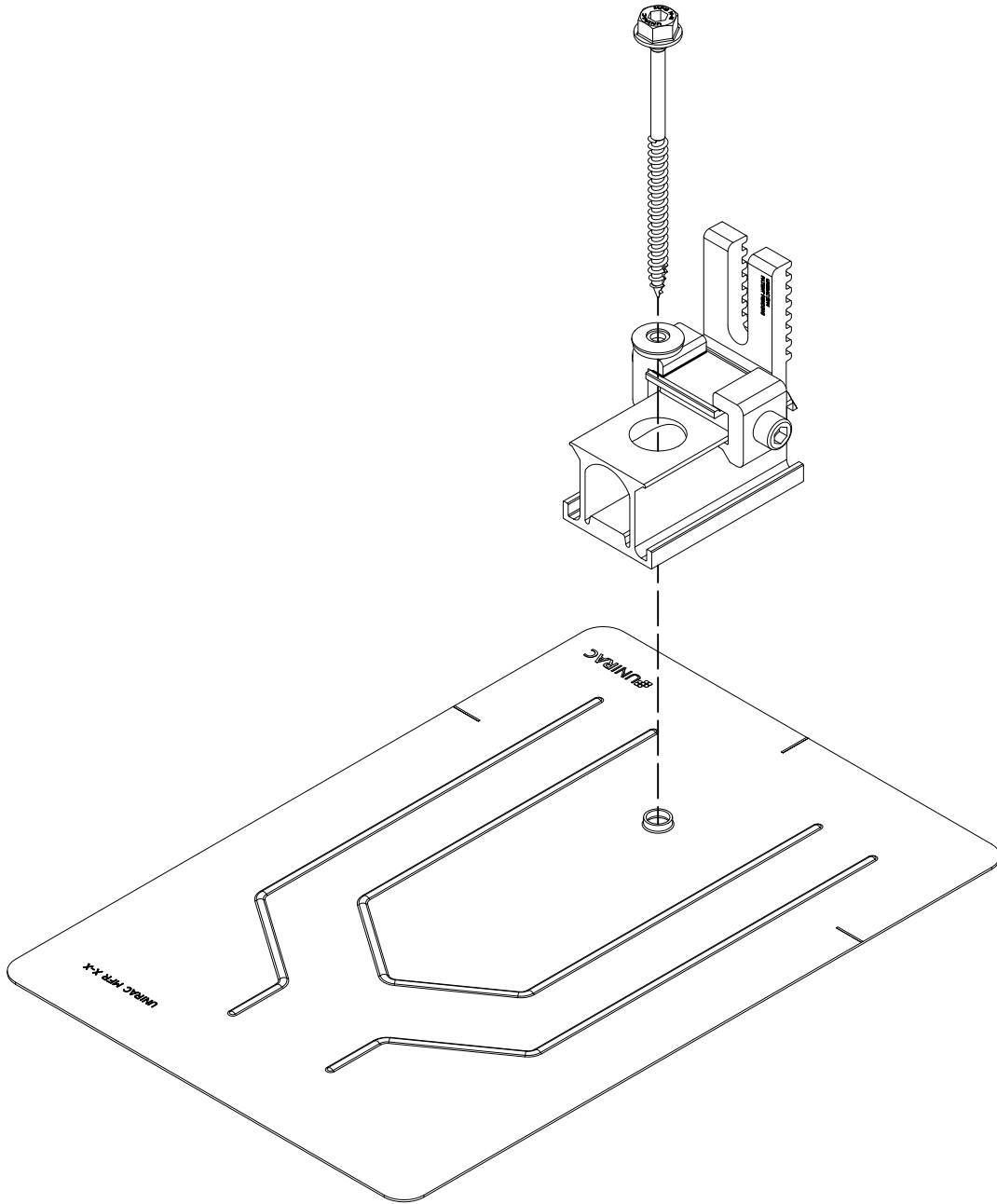
PRODUCT LINE:	SFMC
DRAWING TYPE:	PARTS ASSEMBLY
DESCRIPTION:	SFM 9" ATTACH SPLICE
REVISION DATE:	8/8/2018

DRAWING NOT TO SCALE  
ALL DIMENSIONS ARE  
NOMINAL

PRODUCT PROTECTED BY  
ONE OR MORE US PATENTS  
LEGAL NOTICE

SFMC-A03  
SHEET

PART # TABLE	
P/N	DESCRIPTION
004100D	FLASHKIT SFM TRIM COMP DARK



1411 BROADWAY BLVD. NE  
 ALBUQUERQUE, NM 87102 USA  
 PHONE: 505.242.6411  
 WWW.UNIRAC.COM

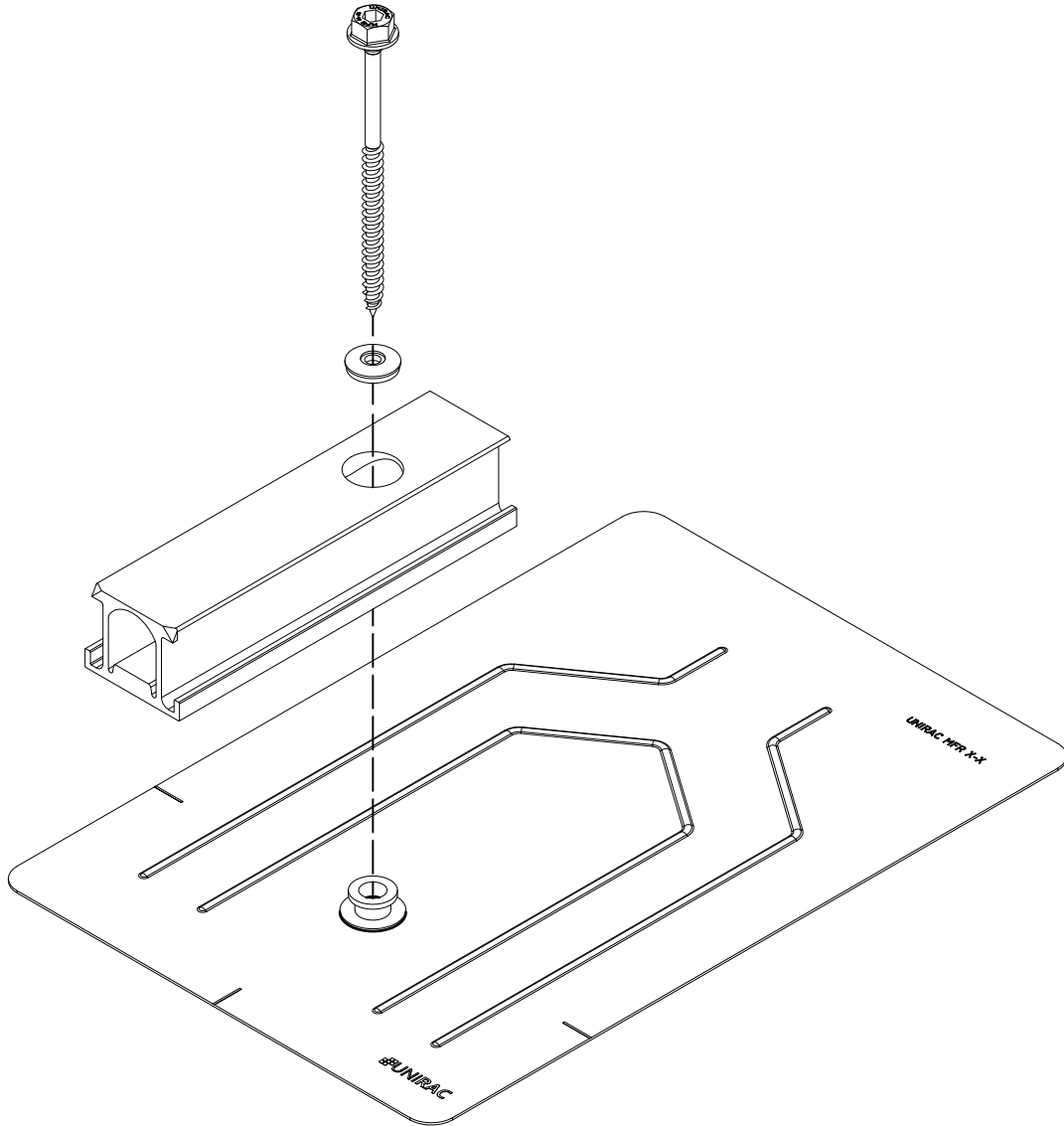
PRODUCT LINE:	SFMCR
DRAWING TYPE:	PARTS ASSEMBLY
DESCRIPTION:	FLASHKIT TRIM
REVISION DATE:	6/20/2018

DRAWING NOT TO SCALE  
 ALL DIMENSIONS ARE  
 NOMINAL

PRODUCT PROTECTED BY  
 ONE OR MORE US PATENTS  
 LEGAL NOTICE

SFMCR-A04  
 SHEET

PART # TABLE	
P/N	DESCRIPTION
004070D	FLASHKIT SFM SLIDER COMP DARK



1411 BROADWAY BLVD. NE  
 ALBUQUERQUE, NM 87102 USA  
 PHONE: 505.242.6411  
 WWW.UNIRAC.COM

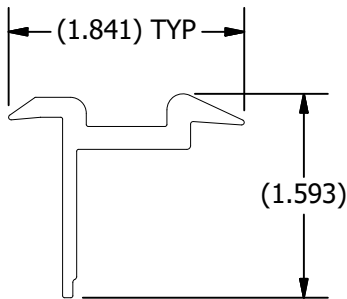
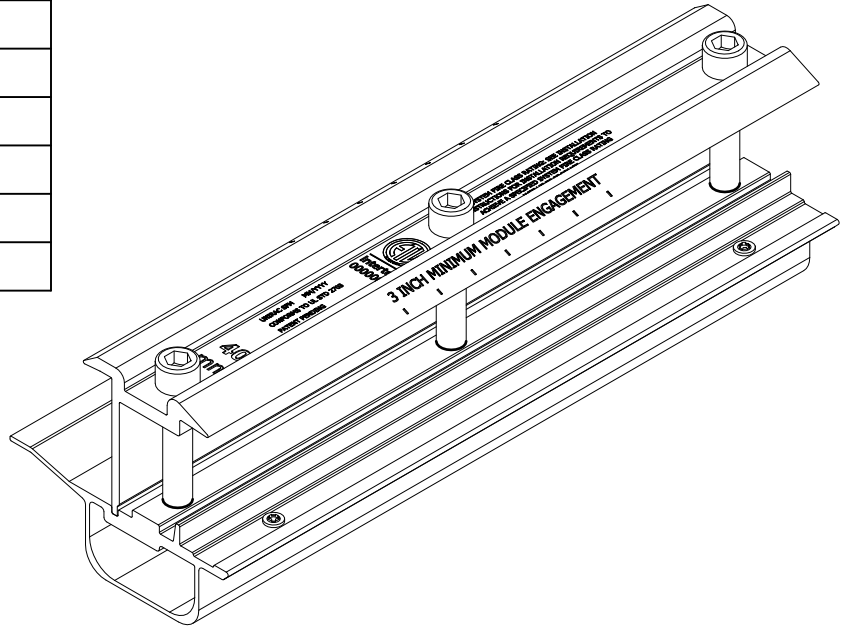
PRODUCT LINE:	SFMCR
DRAWING TYPE:	PARTS ASSEMBLY
DESCRIPTION:	FLASHKIT SLIDER
REVISION DATE:	6/28/2018

DRAWING NOT TO SCALE  
 ALL DIMENSIONS ARE  
 NOMINAL

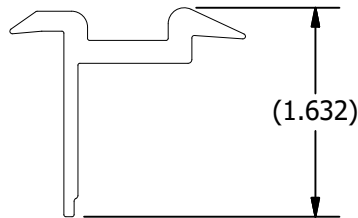
PRODUCT PROTECTED BY  
 ONE OR MORE US PATENTS  
 LEGAL NOTICE

SFMCR-A05  
 SHEET

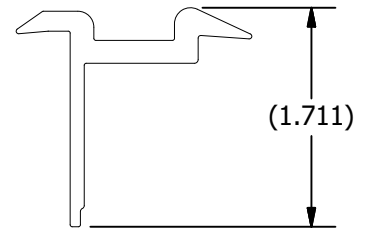
PART # TABLE	
P/N	DESCRIPTION
230132R	SFM 32mm SPLICE ASSEMBLY DARK
230133R	SFM 33mm SPLICE ASSEMBLY DARK
230135R	SFM 35mm SPLICE ASSEMBLY DARK
230138R	SFM 38mm SPLICE ASSEMBLY DARK
230140R	SFM 40mm SPLICE ASSEMBLY DARK
230146R	SFM 46mm SPLICE ASSEMBLY DARK



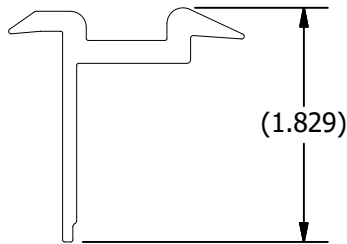
32mm PROFILE



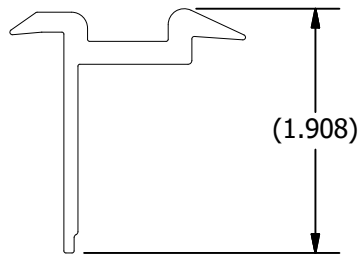
33mm PROFILE



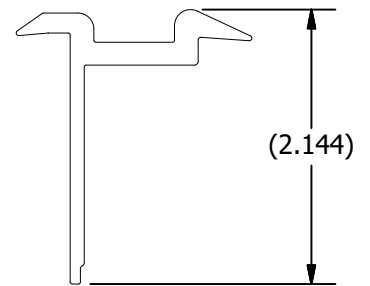
35mm PROFILE



38mm PROFILE



40mm PROFILE



46mm PROFILE



1411 BROADWAY BLVD. NE  
ALBUQUERQUE, NM 87102 USA  
PHONE: 505.242.6411  
WWW.UNIRAC.COM

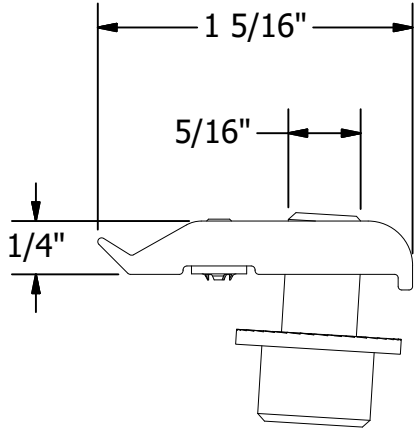
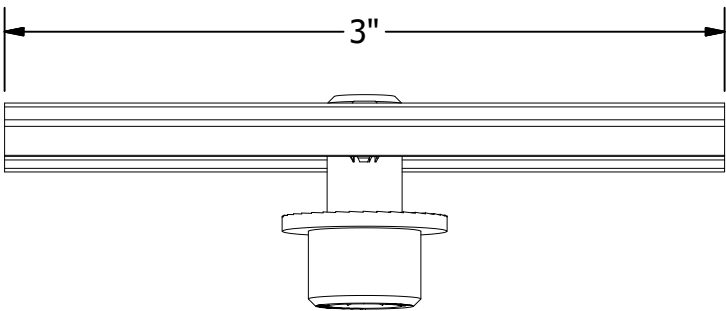
PRODUCT LINE:	SFMCR
DRAWING TYPE:	PARTS ASSEMBLY
DESCRIPTION:	9" SPLICE
REVISION DATE:	6/20/2018

DRAWING NOT TO SCALE  
ALL DIMENSIONS ARE  
NOMINAL

PRODUCT PROTECTED BY  
ONE OR MORE US PATENTS  
LEGAL NOTICE

SFMCR-A06  
SHEET

PART # TABLE	
P/N	DESCRIPTION
008114M	SFM 3" MLPE MOUNT



**UNIRAC**<sup>®</sup>  
 1411 BROADWAY BLVD. NE  
 ALBUQUERQUE, NM 87102 USA  
 PHONE: 505.242.6411  
 WWW.UNIRAC.COM

PRODUCT LINE:	SFMCR
DRAWING TYPE:	PART
DESCRIPTION:	MLPE MOUNT ASSEMBLY
REVISION DATE:	6/28/2018

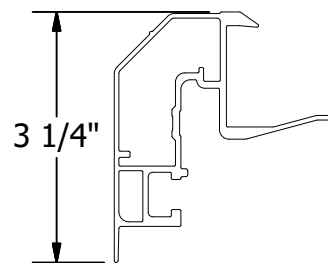
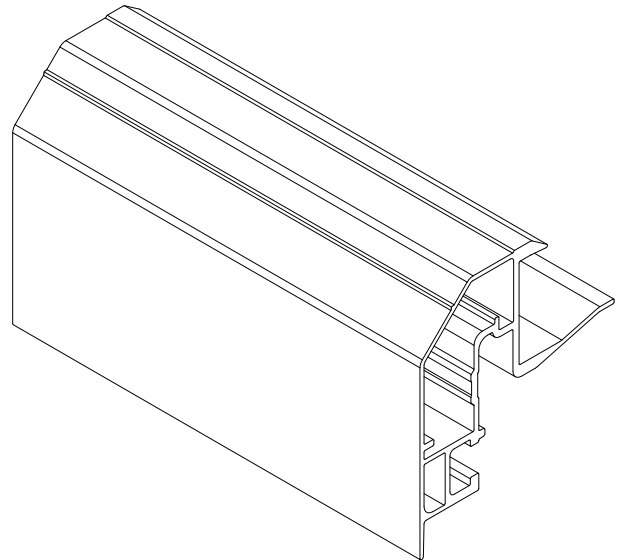
DRAWING NOT TO SCALE  
 ALL DIMENSIONS ARE  
 NOMINAL

PRODUCT PROTECTED BY  
 ONE OR MORE US PATENTS

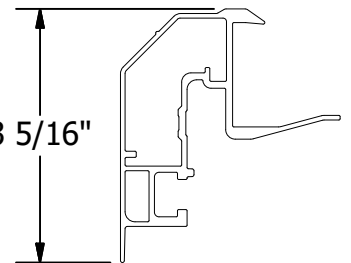
LEGAL NOTICE

SFMCR-P01  
 SHEET

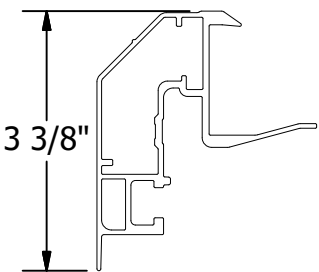
PART # TABLE	
P/N	DESCRIPTION
240332R	SFM 65.5" TRIM 32mm FLANGE DARK
240432R	SFM 79" TRIM 32mm FLANGE DARK
240532R	SFM 131" TRIM 32mm FLANGE DARK
240333R	SFM 65.5" TRIM 33mm FLANGE DARK
240433R	SFM 79" TRIM 33mm FLANGE DARK
240533R	SFM 131" TRIM 33mm FLANGE DARK
240335R	SFM 65.5" TRIM 35mm FLANGE DARK
240435R	SFM 79" TRIM 35mm FLANGE DARK
240535R	SFM 131" TRIM 35mm FLANGE DARK
240338R	SFM 65.5" TRIM 38mm FLANGE DARK
240438R	SFM 79" TRIM 38mm FLANGE DARK
240538R	SFM 131" TRIM 38mm FLANGE DARK
240340R	SFM 65.5" TRIM 40mm FLANGE DARK
240440R	SFM 79" TRIM 40mm FLANGE DARK
240540R	SFM 131" TRIM 40mm FLANGE DARK
240346R	SFM 65.5" TRIM 46mm FLANGE DARK
240446R	SFM 79" TRIM 46mm FLANGE DARK
240546R	SFM 131" TRIM 46mm FLANGE DARK



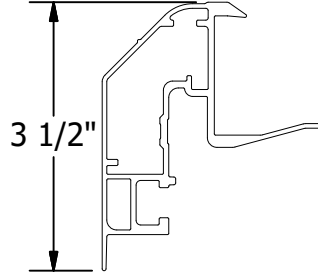
32mm PROFILE



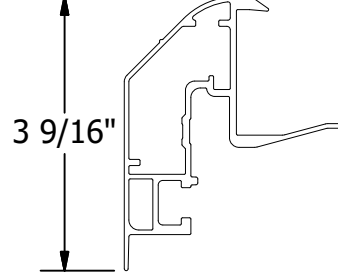
33mm PROFILE



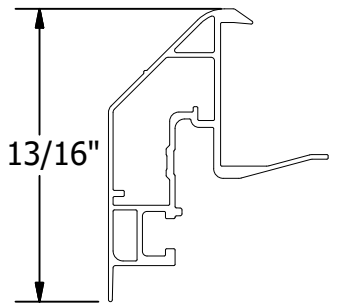
35mm PROFILE



38mm PROFILE



40mm PROFILE



46mm PROFILE



1411 BROADWAY BLVD. NE  
ALBUQUERQUE, NM 87102 USA  
PHONE: 505.242.6411  
WWW.UNIRAC.COM

PRODUCT LINE:	SFMCR
DRAWING TYPE:	PART
DESCRIPTION:	TRIMRAIL
REVISION DATE:	6/27/2018

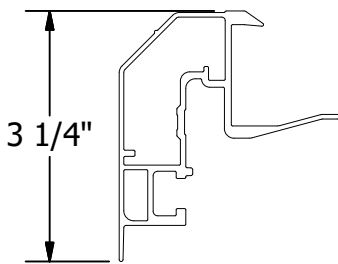
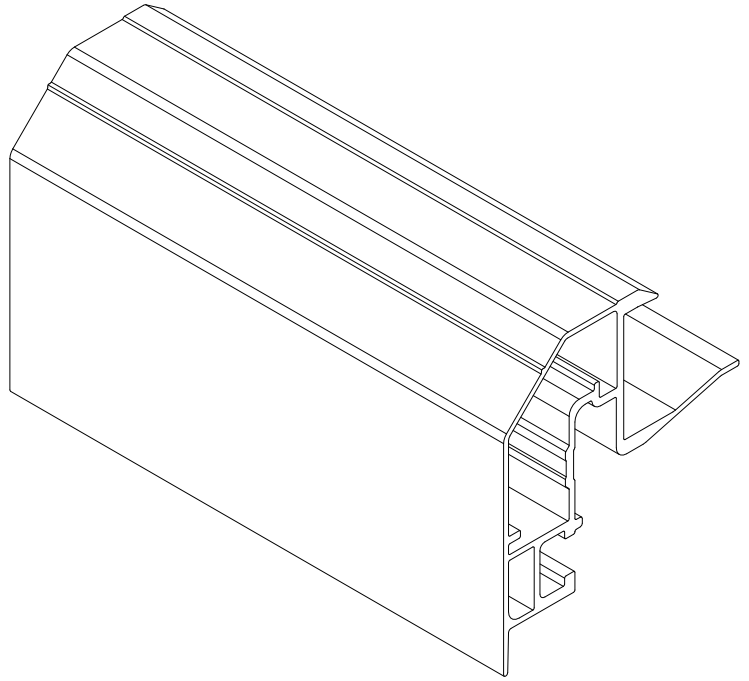
DRAWING NOT TO SCALE  
ALL DIMENSIONS ARE  
NOMINAL

PRODUCT PROTECTED BY  
ONE OR MORE US PATENTS  
LEGAL NOTICE

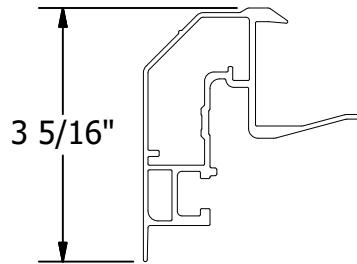
SFMCR-P02  
SHEET



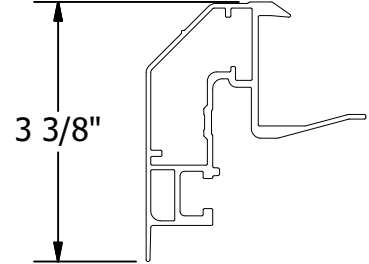
PART # TABLE	
P/N	DESCRIPTION
240332R	SFM 65.5" TRIM 32mm FLANGE DARK
240333R	SFM 65.5" TRIM 33mm FLANGE DARK
240335R	SFM 65.5" TRIM 35mm FLANGE DARK
240338R	SFM 65.5" TRIM 38mm FLANGE DARK
240340R	SFM 65.5" TRIM 40mm FLANGE DARK
240346R	SFM 65.5" TRIM 46mm FLANGE DARK



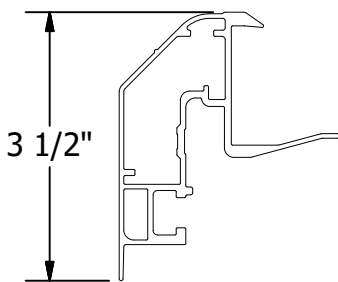
32mm PROFILE



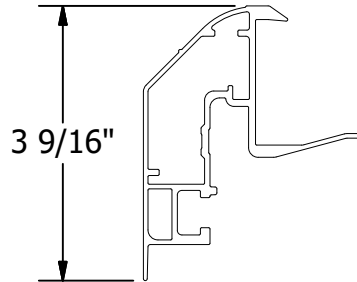
33mm PROFILE



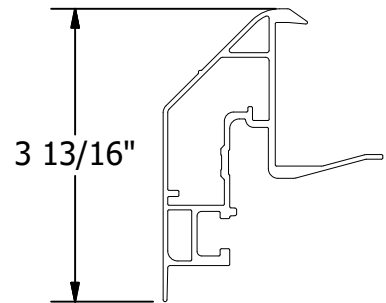
35mm PROFILE



38mm PROFILE



40mm PROFILE



46mm PROFILE



1411 BROADWAY BLVD. NE  
ALBUQUERQUE, NM 87102 USA  
PHONE: 505.242.6411  
WWW.UNIRAC.COM

PRODUCT LINE: SFMCR

DRAWING TYPE: PART

DESCRIPTION: TRIMRAIL

REVISION DATE: 6/28/2018

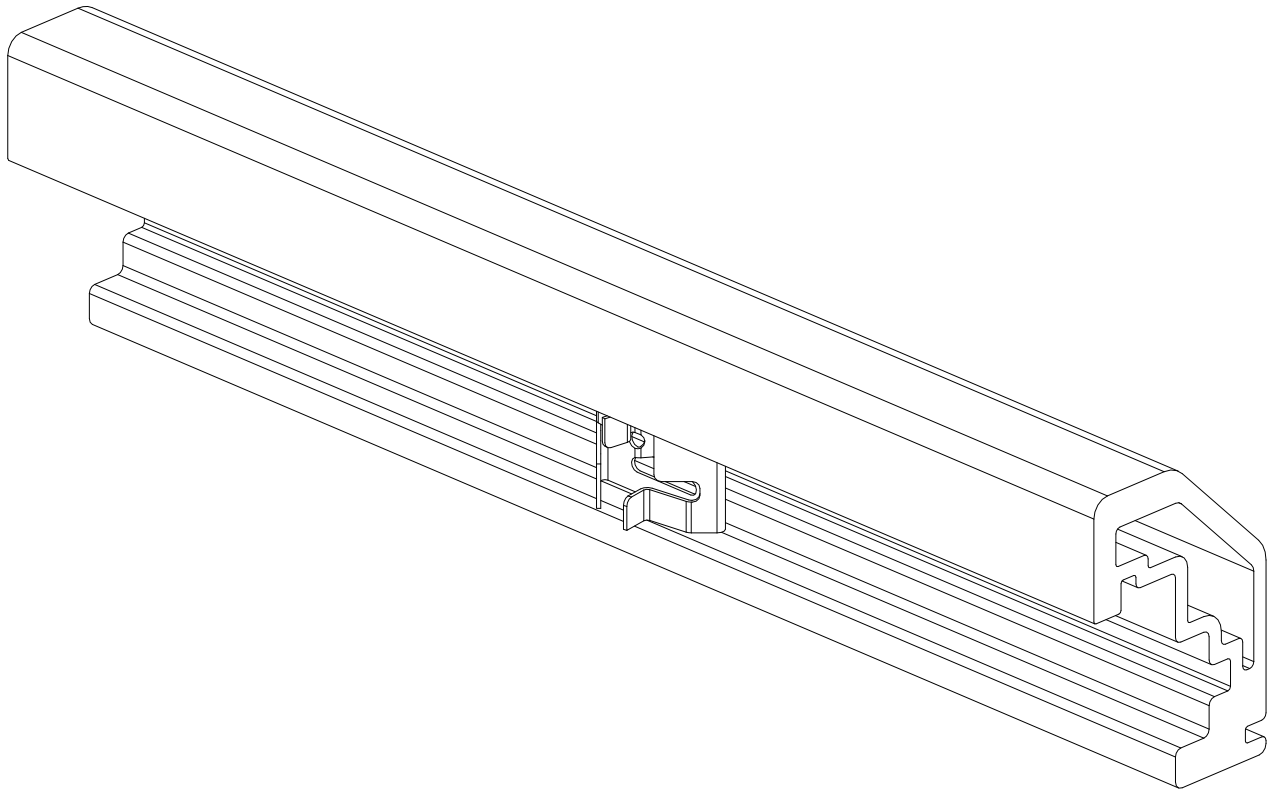
DRAWING NOT TO SCALE  
ALL DIMENSIONS ARE  
NOMINAL

PRODUCT PROTECTED BY  
ONE OR MORE US PATENTS  
LEGAL NOTICE

SFMCR-P02

SHEET

PART # TABLE	
P/N	DESCRIPTION
240906D	SFM TRIM SPLICE ASSEMBLY DARK



1411 BROADWAY BLVD. NE  
 ALBUQUERQUE, NM 87102 USA  
 PHONE: 505.242.6411  
 WWW.UNIRAC.COM

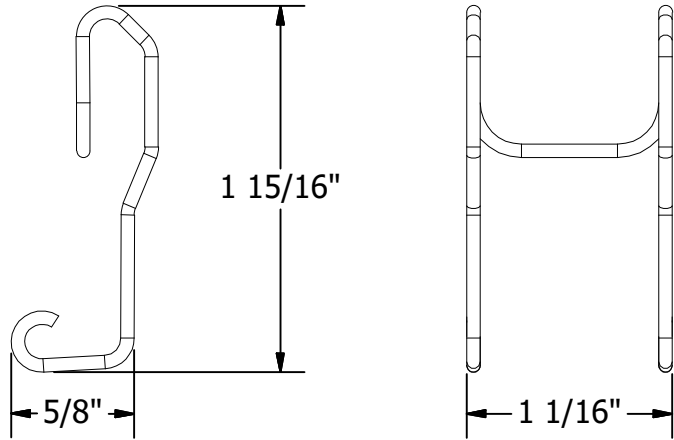
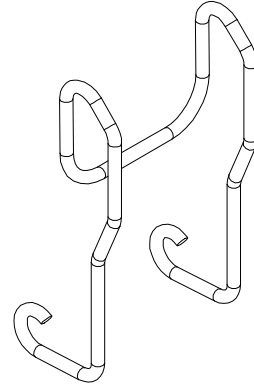
PRODUCT LINE:	SFMCR
DRAWING TYPE:	PART
DESCRIPTION:	TRIMRAIL SPLICE
REVISION DATE:	6/27/2018

DRAWING NOT TO SCALE  
 ALL DIMENSIONS ARE  
 NOMINAL

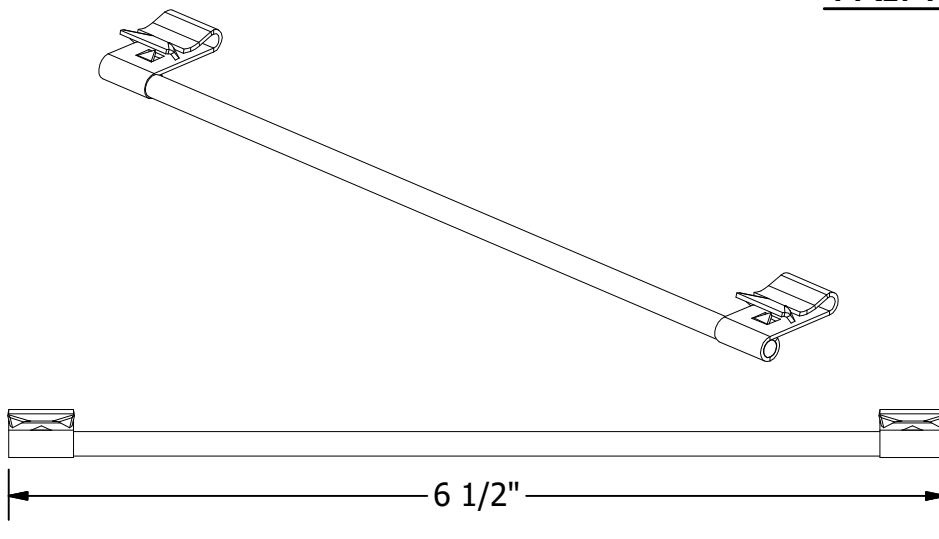
PRODUCT PROTECTED BY  
 ONE OR MORE US PATENTS  
 LEGAL NOTICE

SFMCR-P03  
 SHEET

PART # TABLE	
P/N	DESCRIPTION
240905C	SFM TRIM CLIP
008015S	SFM WIRE BONDING CLIP



TRIM CLIP



WIRE BONDING CLIP



1411 BROADWAY BLVD. NE  
 ALBUQUERQUE, NM 87102 USA  
 PHONE: 505.242.6411  
 WWW.UNIRAC.COM

PRODUCT LINE:	SFMCR
DRAWING TYPE:	PART
DESCRIPTION:	TRIM CLIP / WIRE BONDING CLIP
REVISION DATE:	6/27/2018

DRAWING NOT TO SCALE  
 ALL DIMENSIONS ARE  
 NOMINAL

PRODUCT PROTECTED BY  
 ONE OR MORE US PATENTS  
 LEGAL NOTICE

SFMCR-P04  
 SHEET