



SUNFRAME MICRORAIL ROOF FLASHING & ACCESSORIES

P/N	DESCRIPTION	LIST PRICE (EA)	PACK SIZE	SHIP WT. LBS
004016D	SFM FLAT FLASHING	\$ 13.91		
030027C	HDW LAG BOLT, 5/16 X 4	\$ 0.79		

SUNFRAME MICRORAIL WIRE MANAGEMENT, MLPE MOUNT & ACCESSORIES

P/N	DESCRIPTION	LIST PRICE (EA)	PACK SIZE	SHIP WT. LBS
205000S	ENPHASE ENGAGE CABLE CLIP	\$ 2.65	100	4.00
008014M	MLPE MOUNT ASSY	\$ 3.99	10	1.00

SUNFRAME MICRORAIL GROUNDING & BONDING HARDWARE

P/N	DESCRIPTION	LIST PRICE (EA)	PACK SIZE	SHIP WT. LBS
008015S	WIRE BND CLIP	\$ 2.77	10	1.00
008002S	GROUND WEEBLUG #1	\$ 11.20	20	2.00
008009P	ILSCO LAY IN LUG (GBL4DBT)	\$ 8.40	20	2.00

LEARN MORE / GET INFORMATION

[SUNFRAME MICRORAIL \(SFM\) PRODUCT PAGE](#)

LAYOUT YOUR PROJECT IN SECONDS

[GET A SFM QUOTE / BOM WITH U-BUILDER](#)

PURCHASE NOW

[CLICK HERE TO FIND A UNIRAC DISTRIBUTOR](#)

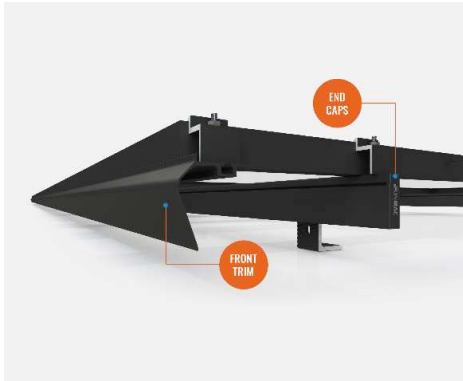
KEY

SYMBOL	DESCRIPTION
--------	-------------

CLR	= CLEAR ANODIZED
-----	------------------

DRK	= DARK BRONZE ANODIZED (BLACK)
-----	--------------------------------

MILL	= MILL FINISH ALUMINUM
------	------------------------



SOLARMOUNT ADJUSTABLE TILT LEGS - SINGLE LEG KIT (L-FEET NOT INCLUDED)

P/N	DESCRIPTION	LIST PRICE (EA)	PACK SIZE	SHIP WT. LBS
307107M	SM ADJ TILT LEG, 8-12", W/HDW	\$ 39.00	1	2.00
307115M	SM ADJ TILT LEG, 18-30", W/HDW	\$ 42.00	1	3.00
307120M	SM ADJ TILT LEG, 26-44", W/HDW	\$ 44.00	1	4.00
307134M	SM ADJ TILT LEG, 40-72", W/HDW	\$ 83.00	1	5.00

- 5 MOUNTING HOLE LOCATIONS ARE 1 IN. FROM EACH END OF TILT LEG(S)
- 6 INCLUDES EXTRA HEX HEAD BOLT W/ NUT FOR MOUNTING L-FOOT TO TILT LEG
- 7 COMPATIBLE WITH SM STANDARD & HD (SMHD) RAIL ONLY

LEARN MORE / GET INFORMATION

[SOLARMOUNT \(SM\) PRODUCT PAGE](#)

LAYOUT YOUR PROJECT IN SECONDS

[GET A SM TILT QUOTE / BOM WITH U-BUILDER](#)

PURCHASE NOW

[CLICK HERE TO FIND A UNIRAC DISTRIBUTOR](#)

SOLARMOUNT INTEGRATED BONDING MICROINVERTER MOUNT

P/N	DESCRIPTION	LIST PRICE (EA)	PACK SIZE	SHIP WT. LBS
008013S	MICRO MNT BND T-BOLT 1/4"X3/4" SS	\$ 1.50	20	2.00

WIRE MANAGEMENT

P/N	DESCRIPTION	LIST PRICE (EA)	PACK SIZE	SHIP WT. LBS
008012P	MICRO WIRE MGT CLIP UV PLSTC	\$ 0.70	20	1.00
008003S	ONE WIRE CLIP, SS	\$ 0.36	500	3.00
008004S	TWO WIRE CLIP, SS	\$ 0.40	500	3.00

GROUNDING & BONDING HARDWARE

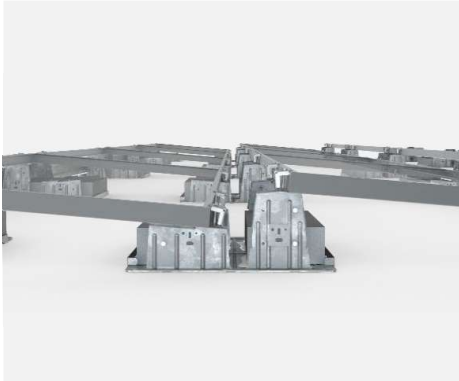
P/N	DESCRIPTION	LIST PRICE (EA)	PACK SIZE	SHIP WT. LBS
008002S	GROUND WEEBLUG #1	\$ 11.20	20	2.00
008009P	ILSCO LAY IN LUG (GBL4DBT)	\$ 8.40	20	2.00

KEY

SYMBOL	DESCRIPTION
--------	-------------

UV	= UV RESISTANT PLASTIC BLACK
----	------------------------------

SS	= STAINLESS STEEL
----	-------------------



[LEARN MORE / GET INFORMATION](#)

[ROOFMOUNT \(RM5\) PRODUCT PAGE](#)

[LAYOUT YOUR PROJECT IN SECONDS](#)

[GET A RM5 QUOTE / BOM WITH U-BUILDER](#)



[LEARN MORE / GET INFORMATION](#)

[ROOFMOUNT \(RMDT\) PRODUCT PAGE](#)

[LAYOUT YOUR PROJECT IN SECONDS](#)

[GET A RMDT QUOTE / BOM WITH U-BUILDER](#)

[PURCHASE NOW](#)

[CLICK HERE TO FIND A UNIRAC DISTRIBUTOR](#)

ROOFMOUNT - RM5 BAY, CLAMPS, HDWR, WIRE MGT. & ATTACHMENT

P/N	DESCRIPTION	LIST PRICE (EA)	PACK SIZE	SHIP WT. LBS
310800	RM5 BAY	\$ 43.60	200	1435.00
310803	RM5 BAY, PVC	\$ 48.30	200	1435.00
310810	RM5 WIND DEFLECTOR	\$ 34.80	60	385.00
310820	RM5/DT ENDCLAMP 32-40MM	\$ 3.60	20	5.50
310821	RM5/DT ENDCLAMP 41-45MM	\$ 3.60	20	5.50
310822	RM5/DT ENDCLAMP 46-50MM	\$ 3.60	20	5.50
310850	RM5/DT WIRE MGMT CLIP	\$ 1.80	20	1.00
310851	RM5 WD WIRE MGMT CLIP	\$ 1.50	20	1.00
310860	RM5/DT 1/4-20 CLIP U-NUT SS18-8	\$ 0.60	20	1.00
310861	RM5, WIND DEFLECTOR HDW KIT	\$ 0.39	20	1.00
310880	RM5 ATTACHMENT KIT	\$ 11.50	2	6.00

ROOFMOUNT - RMDT BAY(S), CLAMPS, HDWR, WIRE MGT. & ATTACHMENT

P/N	DESCRIPTION	LIST PRICE (EA)	PACK SIZE	SHIP WT. LBS
310801	RMDT RIDGE BAY	\$ 62.40	201	1575.00
310802	RMDT VALLEY BAY	\$ 48.30	200	1125.00
310804	RMDT RIDGE BAY, PVC	\$ 69.80	201	1575.00
310805	RMDT VALLEY BAY, PVC	\$ 55.60	200	1125.00
310823	RMDT MIDCLAMP 46-50MM	\$ 3.90	20	5.50
310824	RMDT MIDCLAMP 41-45MM	\$ 3.90	20	5.50
310825	RMDT MIDCLAMP 36-40MM	\$ 3.90	20	5.50
310826	RMDT MIDCLAMP 32-35MM	\$ 3.90	20	5.50
310820	RM5/DT ENDCLAMP 32-40MM	\$ 3.60	20	5.50
310821	RM5/DT ENDCLAMP 41-45MM	\$ 3.60	20	5.50
310822	RM5/DT ENDCLAMP 46-50MM	\$ 3.60	20	5.50
310850	RM5/DT WIRE MGMT CLIP	\$ 1.80	20	1.00
310851	RM5 WD WIRE MGMT CLIP	\$ 1.50	20	1.00
310860	RM5/DT 1/4-20 CLIP U-NUT SS18-8	\$ 0.60	20	1.00
310881	RMDT ATTACHMENT KIT	\$ 11.50	2	5.00

MLPE MOUNT, ACCESSORIES & GROUNDING / BONDING HARDWARE

P/N	DESCRIPTION	LIST PRICE (EA)	PACK SIZE	SHIP WT. LBS
008014M	MLPE MOUNT ASSY	\$ 3.99	10	1.00
205000S	ENPHASE ENGAGE CABLE CLIP	\$ 2.65	100	4.00
008002S	GROUND WEEBLUG #1	\$ 11.20	20	2.00
008009P	ILSCO LAY IN LUG (GBL4DBT)	\$ 8.40	20	2.00



ROOFMOUNT - RM10 BALLAST BAY, CLAMPS, BOLT & ROOF PAD

P/N	DESCRIPTION	LIST PRICE (EA)	PACK SIZE	SHIP WT. LBS
310710	RM10 BAY	\$ 81.20	100	309.00
310750	RM10 MODULE CLIP	\$ 2.15	200	36.40
310751	RM10 HEX BOLT	\$ 0.90	400	28.00
310760	RM10 ROOF PAD	\$ 4.25	200	38.00

MLPE MOUNT, ACCESSORIES & GROUNDING / BONDING HARDWARE

P/N	DESCRIPTION	LIST PRICE (EA)	PACK SIZE	SHIP WT. LBS
008014M	MLPE MOUNT ASSY	\$ 3.99	10	1.00
205000S	ENPHASE ENGAGE CABLE CLIP	\$ 2.65	100	4.00
008002S	GROUND WEEBLUG #1	\$ 11.20	20	2.00
008009P	ILSCO LAY IN LUG (GBL4DBT)	\$ 8.40	20	2.00

[LEARN MORE / GET INFORMATION](#)

[ROOFMOUNT \(RM10\) PRODUCT PAGE](#)

[LAYOUT YOUR PROJECT IN SECONDS](#)

[GET A RM10 QUOTE / BOM WITH U-BUILDER](#)



SUNFRAME RAIL - BUNDLE OF 8 RAILS

P/N	DESCRIPTION	LIST PRICE (EA)	PACK SIZE	SHIP WT. LBS
210192C	SF RAIL 192", THREADED, CLR	\$171.62	8	153.00
210192D	SF RAIL 192", THREADED, DRK	\$197.62	8	153.00

SUNFRAME L-FEET, SPLICE BARS & SPLICE PLATE

P/N	DESCRIPTION	LIST PRICE (EA)	PACK SIZE	SHIP WT. LBS
202000D	SF ENDCAPS, THREADED, UV-BLACK	\$ 3.40	20	2.00
⑧ 303001C	SF SPLICE BAR SERRATED CLR	\$ 5.90	20	9.00
⑧ 303002D	SF SPLICE BAR SERRATED DRK	\$ 6.20	20	10.00
304001C	L-FOOT SERR W/ T-BOLT, CLR	\$ 4.35	20	5.00
304001D	L-FOOT SERR W/ T-BOLT, DRK	\$ 4.55	20	5.00

⑧ USE WITH SUNFRAME RAIL ONLY

[LEARN MORE / GET INFORMATION](#)

[SUNFRAME \(SF\) PRODUCT PAGE](#)

[LAYOUT YOUR PROJECT IN SECONDS](#)

[GET A SF QUOTE /BOM WITH U-BUILDER](#)

[PURCHASE NOW](#)

[CLICK HERE TO FIND A UNIRAC DISTRIBUTOR](#)

SUNFRAME MISC. HARDWARE

P/N	DESCRIPTION	LIST PRICE (EA)	PACK SIZE	SHIP WT. LBS
⑧ 330006S	SF SPLICE BAR TEK SCREW	\$ 0.65	80	1.00

⑧ USE WITH SUNFRAME RAIL ONLY

GROUNDING & BONDING HARDWARE

P/N	DESCRIPTION	LIST PRICE (EA)	PACK SIZE	SHIP WT. LBS
008002S	GROUND WEEBLUG #1	\$ 11.20	20	2.00
008009P	ILSCO LAY IN LUG (GBL4DBT)	\$ 8.40	20	2.00

WIRE MANAGEMENT

P/N	DESCRIPTION	LIST PRICE (EA)	PACK SIZE	SHIP WT. LBS
008003S	ONE WIRE CLIP, SS	\$ 0.36	500	3.00
008004S	TWO WIRE CLIP, SS	\$ 0.40	500	3.00

KEY

SYMBOL	DESCRIPTION
--------	-------------

CLR = CLEAR ANODIZED

DRK = DARK BRONZE ANODIZED (BLACK)

AL = MILL FINISH ALUMINUM