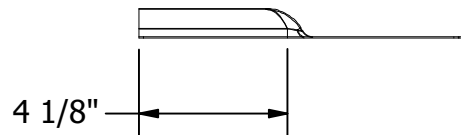
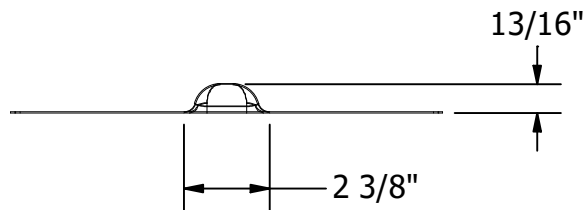
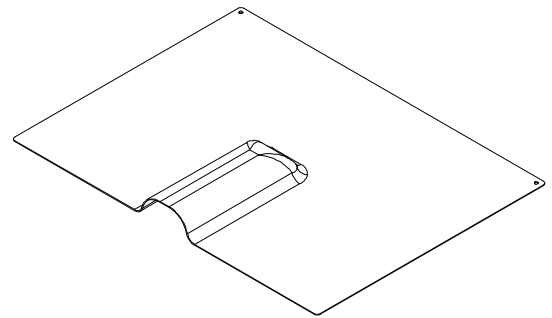
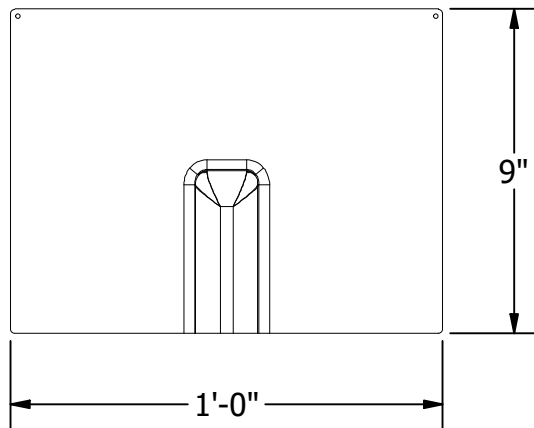


NOTES:

1. INSTALLATION TO BE COMPLETED IN ACCORDANCE WITH SOLARHOOKS INSTALLATION GUIDE.
2. PACKAGING: KITS OF 30



PART # TABLE	
P/N	DESCRIPTION
004FLAT	SOLARHOOK AT - ST FLASHING



1411 BROADWAY BLVD. NE
ALBUQUERQUE, NM 87102 USA
PHONE: 505.242.6411
WWW.UNIRAC.COM

PRODUCT LINE:	SOLARHOOK
DRAWING TYPE:	PART DETAIL
DESCRIPTION:	AT - ST FLASHING
REVISION DATE:	5/1/2024

DRAWING NOT TO SCALE
ALL DIMENSIONS ARE
NOMINAL

PRODUCT PROTECTED BY
ONE OR MORE US PATENTS

LEGAL NOTICE

SH-P09
SHEET