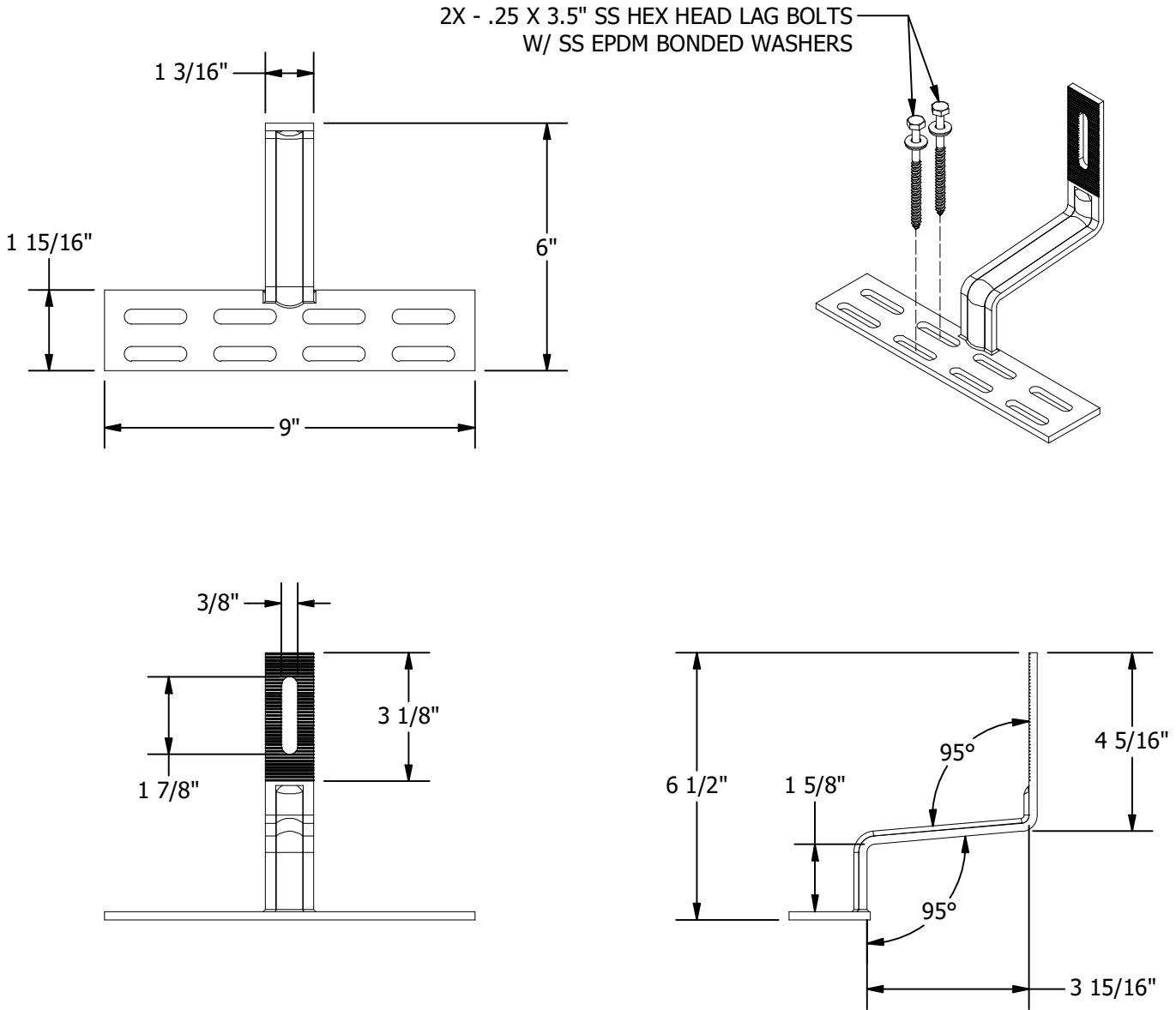


NOTES:

1. INSTALLATION TO BE COMPLETED IN ACCORDANCE WITH SOLARHOOKS INSTALLATION GUIDE.
2. PACKAGING: KITS OF 20
3. RAIL CONNECTION HARDWARE, T-BOLTS OR RAIL CLAMPS, ARE SOLD SEPARATELY.
SEE 009020S AND SHCLMPM2 & SHCLMPD2



PART # TABLE

P/N	DESCRIPTION
004CT2H	SOLARHOOK SPANISH 9" BASE



1411 BROADWAY BLVD. NE
ALBUQUERQUE, NM 87102 USA
PHONE: 505.242.6411
WWW.UNIRAC.COM

PRODUCT LINE:	SOLARHOOK
DRAWING TYPE:	PART DETAIL
DESCRIPTION:	SPANISH 9" BASE
REVISION DATE:	5/1/2024

DRAWING NOT TO SCALE
ALL DIMENSIONS ARE
NOMINAL

PRODUCT PROTECTED BY
ONE OR MORE US PATENTS

LEGAL NOTICE

SH2-P04

SHEET