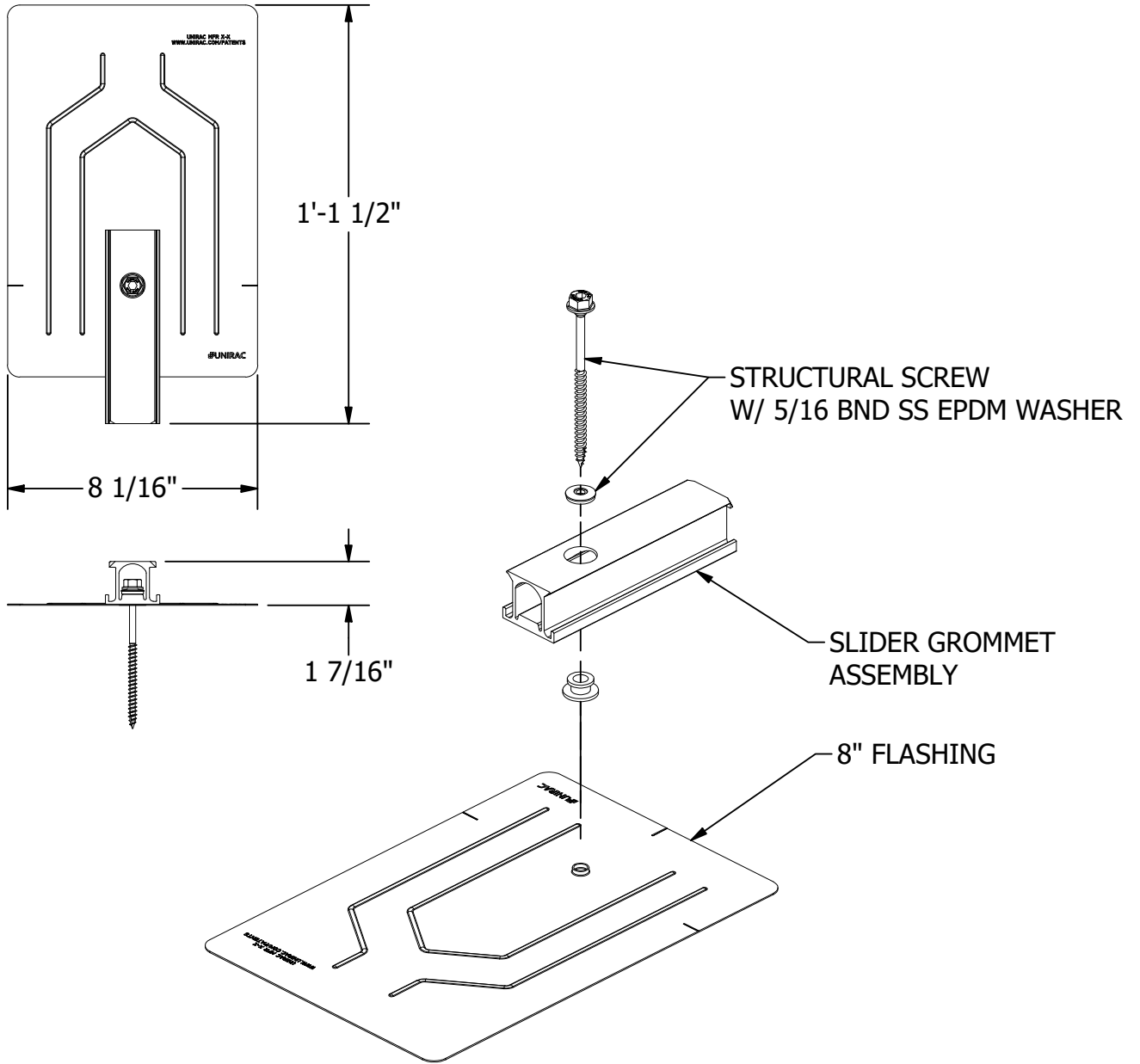


PART # TABLE	
P/N	DESCRIPTION
004270D	FLASHKIT SFM SLIDER COMP DARK



FLASHKIT SFM SLIDER



1411 BROADWAY BLVD. NE
ALBUQUERQUE, NM 87102 USA
PHONE: 505.242.6411
WWW.UNIRAC.COM

PRODUCT LINE:	SFM INFINITY
DRAWING TYPE:	PARTS ASSEMBLY
DESCRIPTION:	FLASHKIT SLIDER
REVISION DATE:	4/22/2019

DRAWING NOT TO SCALE
ALL DIMENSIONS ARE
NOMINAL

PRODUCT PROTECTED BY
ONE OR MORE US PATENTS

LEGAL NOTICE

SFM-A05
SHEET