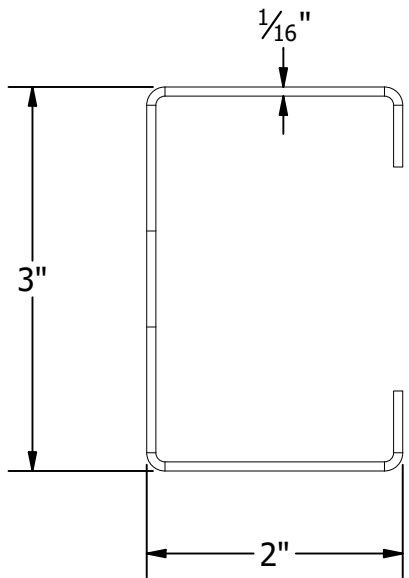
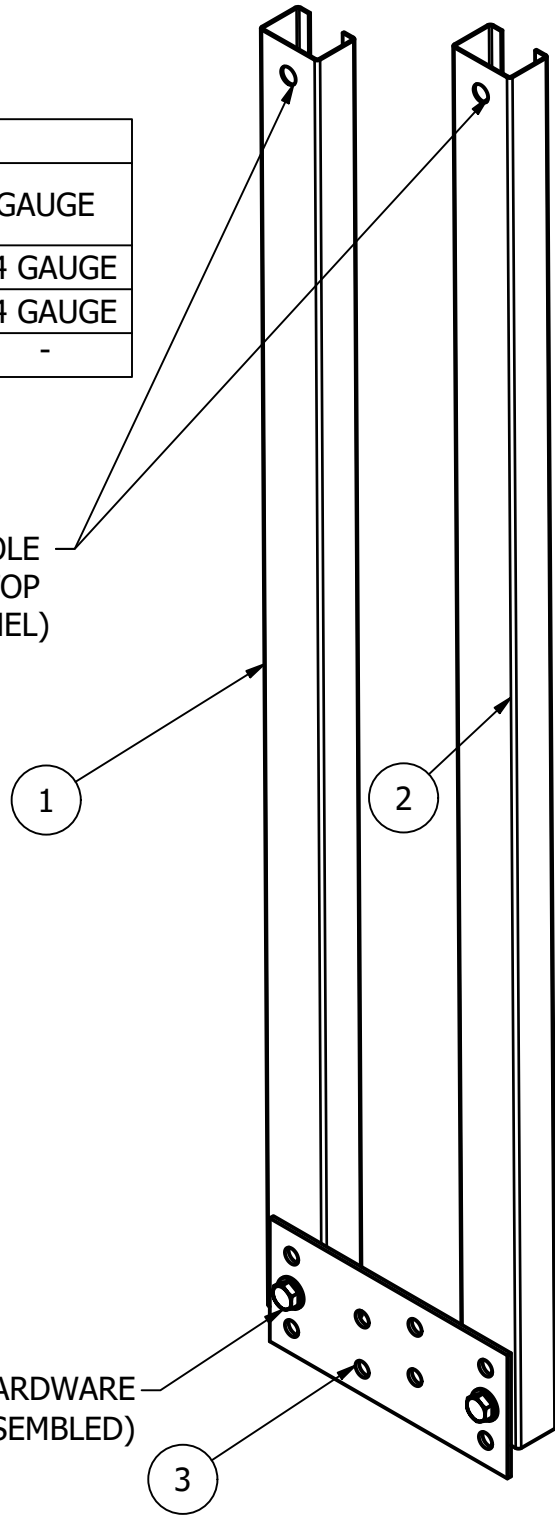


ASSEMBLY # TABLE	
P/N	DESCRIPTION
404031	20° DIAGONAL BRACE ASSEMBLY

PARTS LIST				
ITEM	QTY	DESCRIPTION	LENGTH	GAUGE
1	1	FRONT DIAGONAL BRACE	4'-5 3/4"	14 GAUGE
2	1	REAR DIAGONAL BRACE	4'-2"	14 GAUGE
3	1	DIAGONAL BRACE PLATE	-	-



2X BOLT HOLE
(ATTACHES TO TOP
CHORD CHANNEL)



Ø 5/8" HARDWARE
(PRE-ASSEMBLED)

UNIRAC[®]
 1411 BROADWAY BLVD. NE
 ALBUQUERQUE, NM 87102 USA
 PHONE: 505.242.6411
 WWW.UNIRAC.COM

PRODUCT LINE:	GFT
DRAWING TYPE:	ASSEMBLY DETAIL
DESCRIPTION:	20° DIAGONAL BRACE ASSEMBLY
REVISION DATE:	4/2/2024

DRAWING NOT TO SCALE
 ALL DIMENSIONS ARE
 NOMINAL

PRODUCT PROTECTED BY
 ONE OR MORE US PATENTS

LEGAL NOTICE

GFT-A05
 SHEET