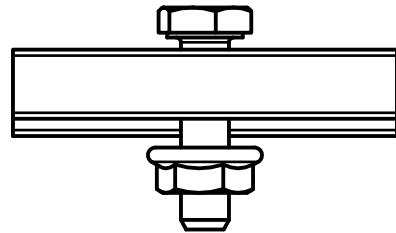
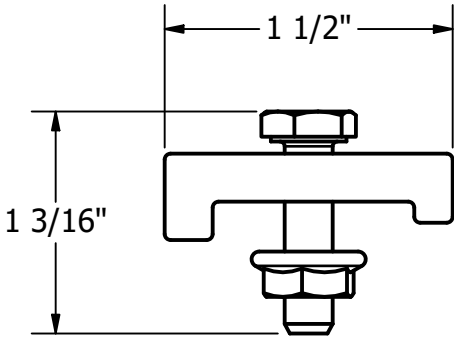
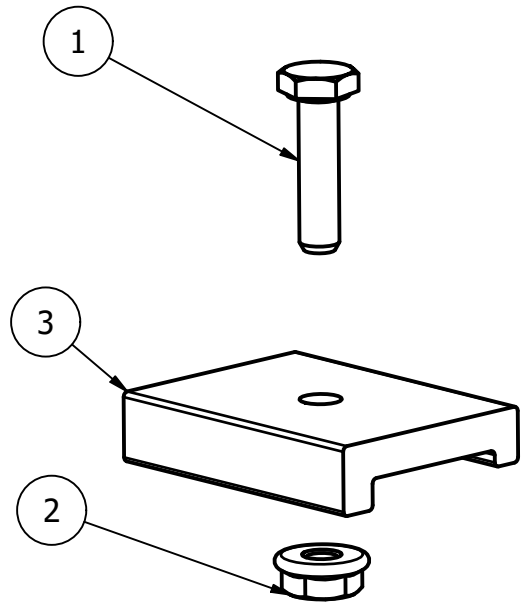
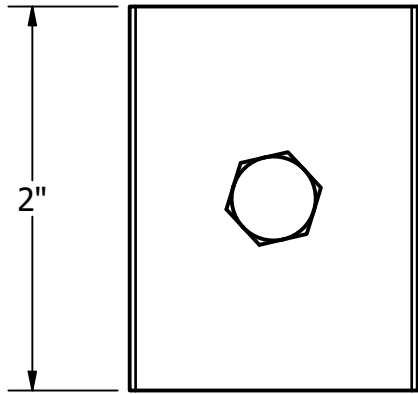


PART TABLE	
P/N	DESCRIPTION
404020	GFT RAIL SUPPLEMENTAL HDWR 4-RAIL

PART LIST		
ITEM	QTY	DESCRIPTION
1	8	BOLT,HHCS 1/4-20X1 SS 18-8
2	8	NUT,FLNG SERR 1/4-20 SS 18-8
3	8	GFT BEAM CLIP



UNIRAC
 1411 BROADWAY BLVD. NE
 ALBUQUERQUE, NM 87102 USA
 PHONE: 505.242.6411
 WWW.UNIRAC.COM

PRODUCT LINE:	GFT
DRAWING TYPE:	ASSEMBLY DETAIL
DESCRIPTION:	GFT HARDWARE KIT
REVISION DATE:	4/2/2024

DRAWING NOT TO SCALE
 ALL DIMENSIONS ARE
 NOMINAL

PRODUCT PROTECTED BY
 ONE OR MORE US PATENTS

LEGAL NOTICE

GFT-A07
 SHEET