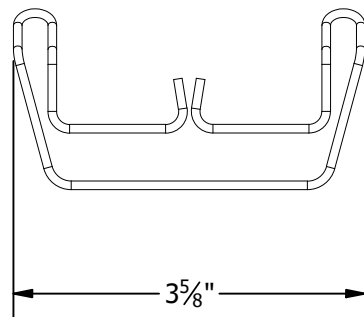
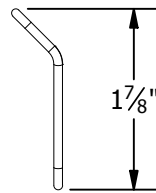
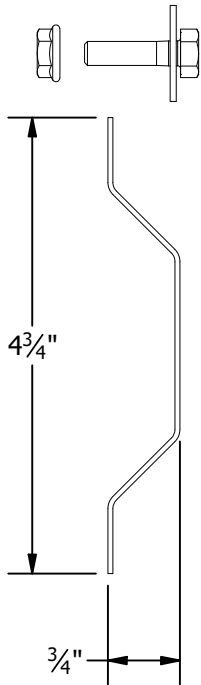
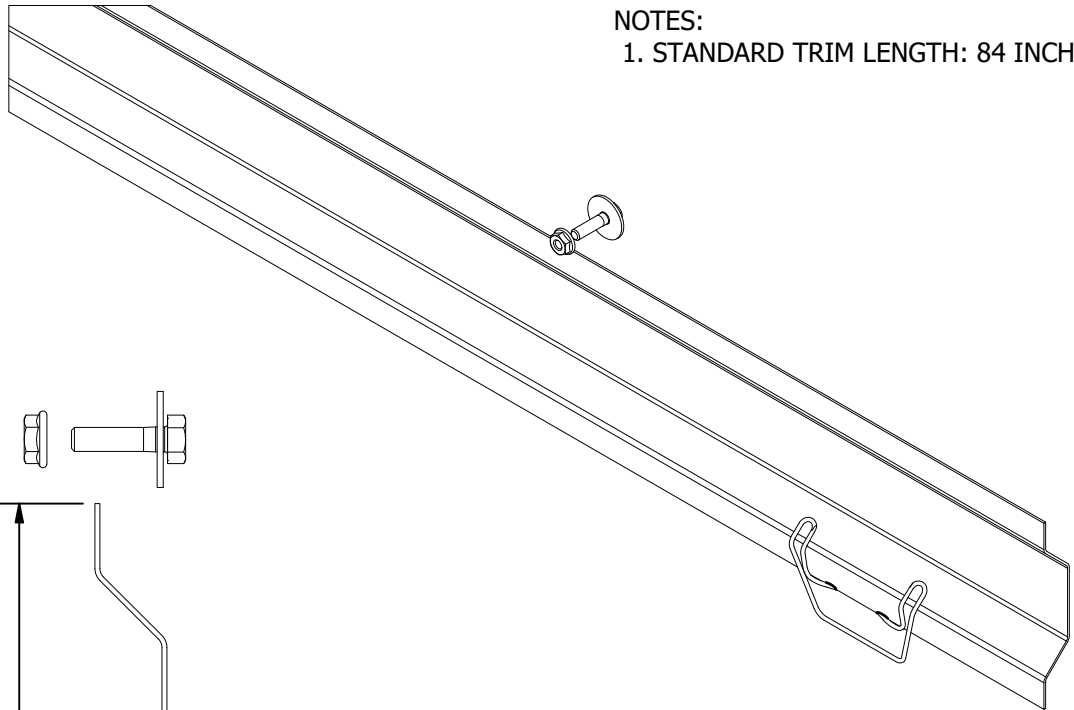


NOTES:
1. STANDARD TRIM LENGTH: 84 INCH



WIND DEFLECTOR &
HRDWR FASTENER

WIRE CLIP FOR WIND DEFLECTOR

PART # TABLE		
P/N	DESCRIPTION	LENGTH
310810	RM5 WIND DEFLECTOR	84"
310850	RM5 WD WIRE MGMT CLIP	-
310861	RM5 WIND DEFLECTOR HDW KIT	-



1411 BROADWAY BLVD. NE
ALBUQUERQUE, NM 87102 USA
PHONE: 505.242.6411
WWW.UNIRAC.COM

PRODUCT LINE: RM5 ROOFMOUNT

DRAWING TYPE: PART

DESCRIPTION: WIND DEFLECTOR,
HDWR & WIRE CLIP

REVISION DATE: 2/10/2020

DRAWING NOT TO SCALE
ALL DIMENSIONS ARE
NOMINAL

PRODUCT PROTECTED BY
ONE OR MORE US PATENTS

LEGAL NOTICE

RM5-P02

SHEET