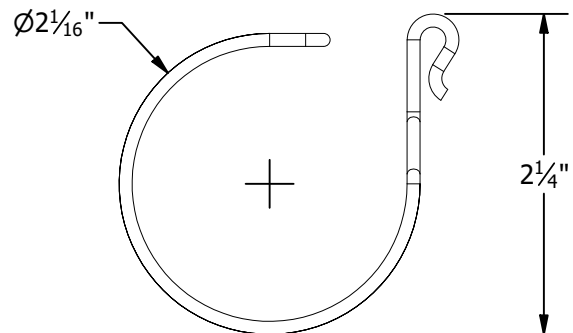
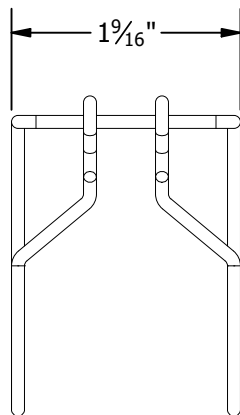
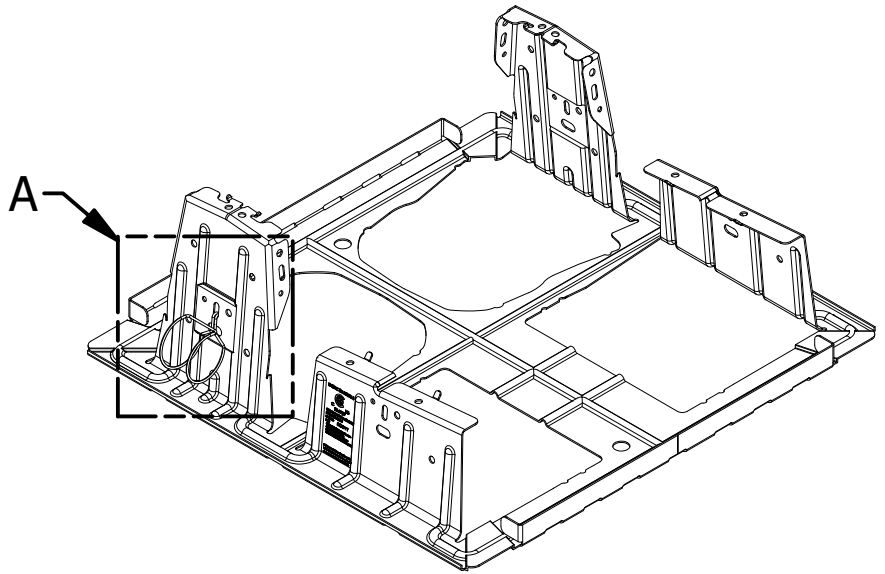


DETAIL A



RM5/DT WIRE MGMT CLIP

PART # TABLE	
P/N	DESCRIPTION
310850	RM5/DT WIRE MGMT CLIP



1411 BROADWAY BLVD. NE
 ALBUQUERQUE, NM 87102 USA
 PHONE: 505.242.6411
 WWW.UNIRAC.COM

PRODUCT LINE:	RM5 ROOFMOUNT
DRAWING TYPE:	PART
DESCRIPTION:	RM5/DT WIRE MGMT CLIP
REVISION DATE:	2/10/2020

DRAWING NOT TO SCALE
 ALL DIMENSIONS ARE
 NOMINAL

PRODUCT PROTECTED BY
 ONE OR MORE US PATENTS
 LEGAL NOTICE

RM5-P03
 SHEET