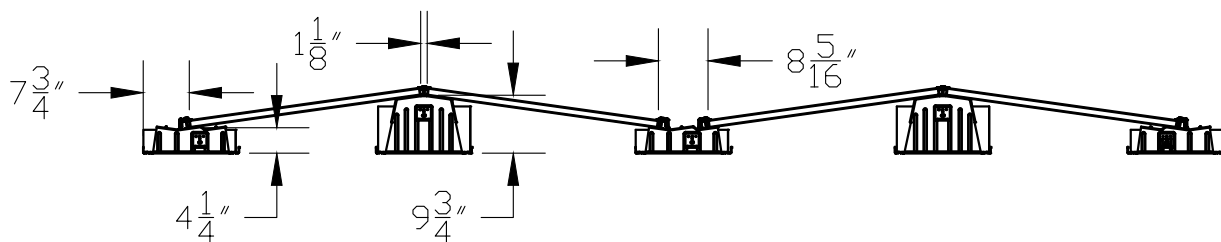
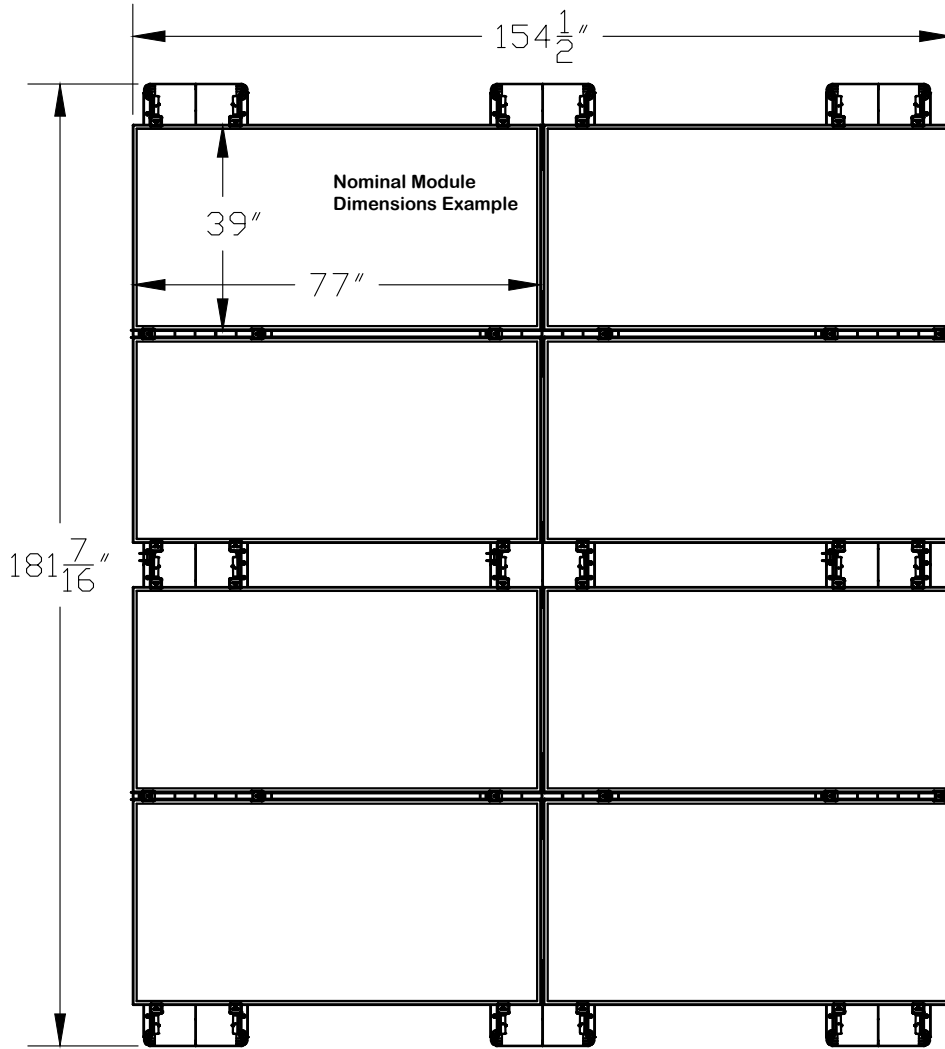
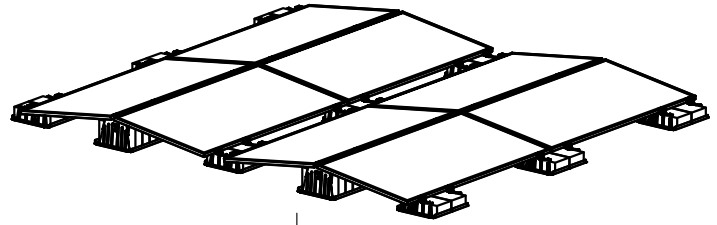


NOTE: ARRAY DIMENSIONS WILL VARY BASED ON  
MODULE WIDTH & LENGTH.



**UNIRAC**

1411 BROADWAY BLVD NE  
ALBUQUERQUE, NM 87102  
USA

WWW.UNIRAC.COM

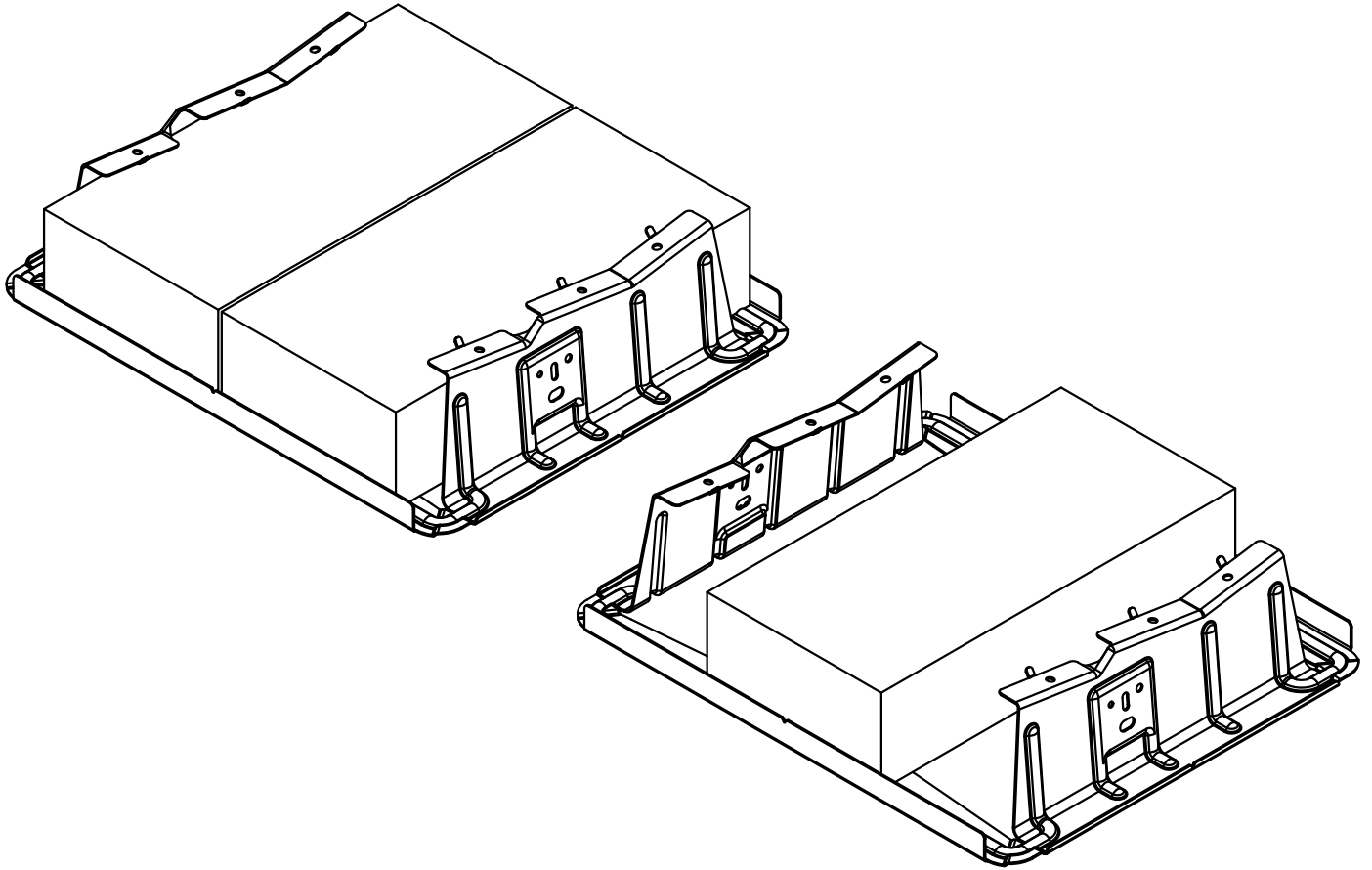
<b>PRODUCT LINE:</b>	RMDT
<b>DRAWING TYPE:</b>	ASSEMBLY
<b>DESCRIPTION:</b>	2x4 LAYOUT
<b>REVISION DATE:</b>	October_2016

DRAWING NOT TO SCALE  
ALL DIMENSIONS ARE NOMINAL

PRODUCT PROTECTED BY ONE  
OR MORE US PATENTS

**LEGAL NOTICE**

**RMDT-A01**  
**SHEET**



**UNIRAC**<sup>®</sup>

1411 BROADWAY BLVD NE  
ALBUQUERQUE, NM 87102  
USA

WWW.UNIRAC.COM

<b>PRODUCT LINE:</b>	RMDT
<b>DRAWING TYPE:</b>	ASSEMBLY
<b>DESCRIPTION:</b>	BLOCKS ON RMDT VALLEY BAYS
<b>REVISION DATE:</b>	October_2016

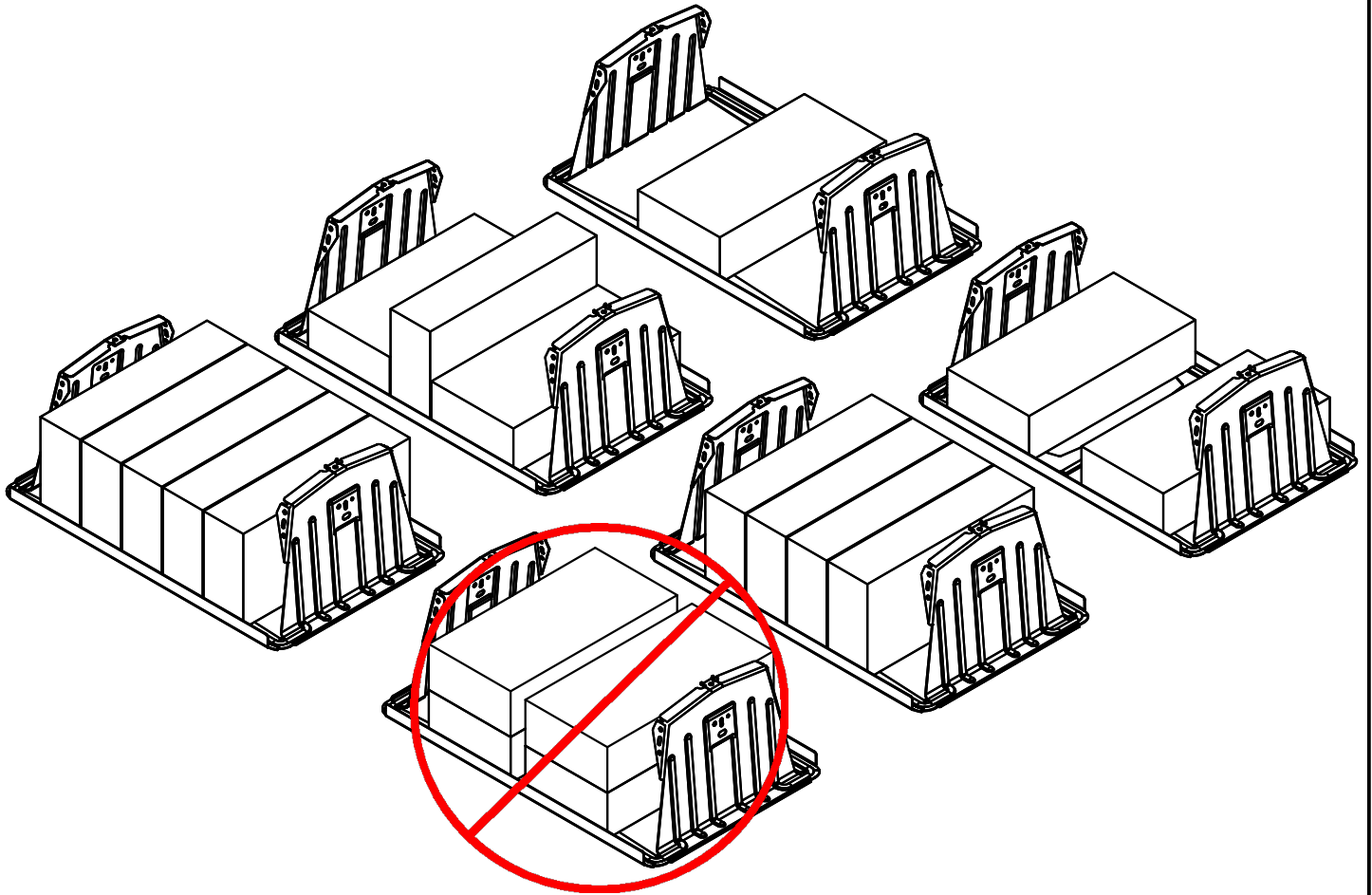
DRAWING NOT TO SCALE  
ALL DIMENSIONS ARE NOMINAL

PRODUCT PROTECTED BY ONE  
OR MORE US PATENTS

**LEGAL NOTICE**

**RMDT-A02**

**SHEET**



**UNIRAC**<sup>®</sup>

1411 BROADWAY BLVD NE  
ALBUQUERQUE, NM 87102  
USA

WWW.UNIRAC.COM

<b>PRODUCT LINE:</b>	RMDT
<b>DRAWING TYPE:</b>	ASSEMBLY
<b>DESCRIPTION:</b>	BLOCKS ON RMDT RIDGE BAYS
<b>REVISION DATE:</b>	October_2016

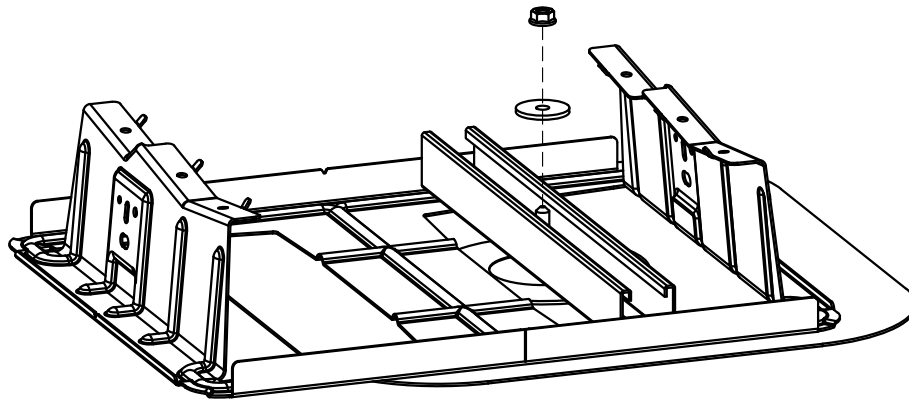
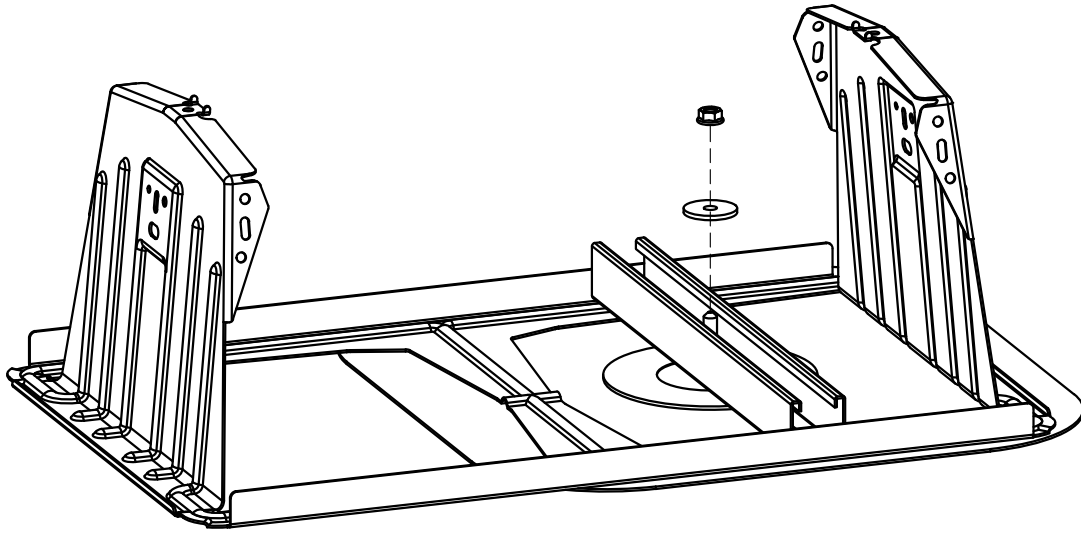
DRAWING NOT TO SCALE  
ALL DIMENSIONS ARE NOMINAL

PRODUCT PROTECTED BY ONE  
OR MORE US PATENTS

**LEGAL NOTICE**

**RMDT-A03**

**SHEET**



**UNIRAC**<sup>®</sup>

1411 BROADWAY BLVD NE  
ALBUQUERQUE, NM 87102  
USA

WWW.UNIRAC.COM

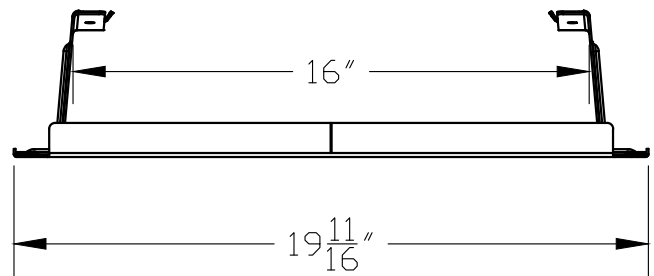
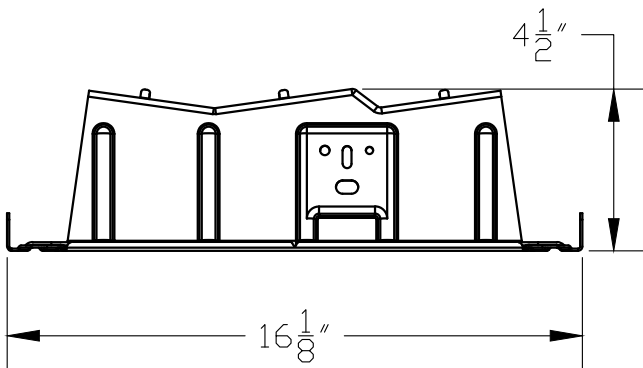
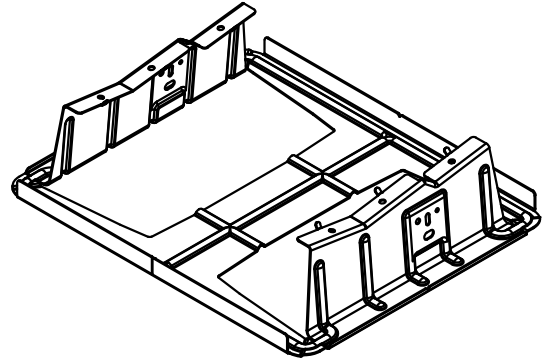
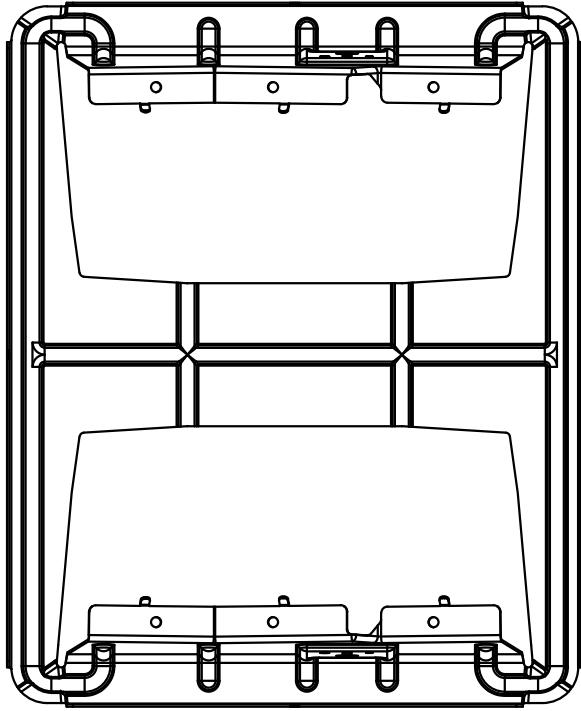
<b>PRODUCT LINE:</b>	RMDT
<b>DRAWING TYPE:</b>	ASSEMBLY
<b>DESCRIPTION:</b>	BAY ATTACHMENTS
<b>REVISION DATE:</b>	October_2016

DRAWING NOT TO SCALE  
ALL DIMENSIONS ARE NOMINAL

PRODUCT PROTECTED BY ONE  
OR MORE US PATENTS

**LEGAL NOTICE**

**RMDT-A04**  
**SHEET**



**UNIRAC**

1411 BROADWAY BLVD NE  
ALBUQUERQUE, NM 87102  
USA

WWW.UNIRAC.COM

<b>PRODUCT LINE:</b>	RMDT
<b>DRAWING TYPE:</b>	PART
<b>DESCRIPTION:</b>	RMDT VALLEY BAY
<b>REVISION DATE:</b>	October_2016

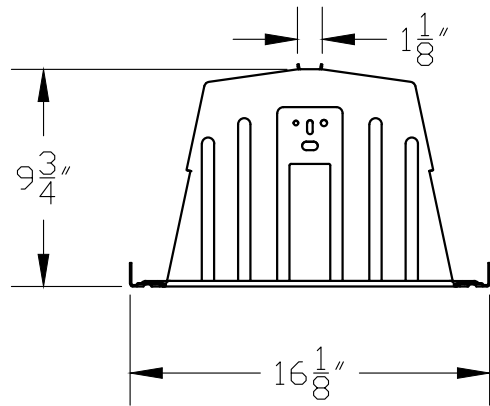
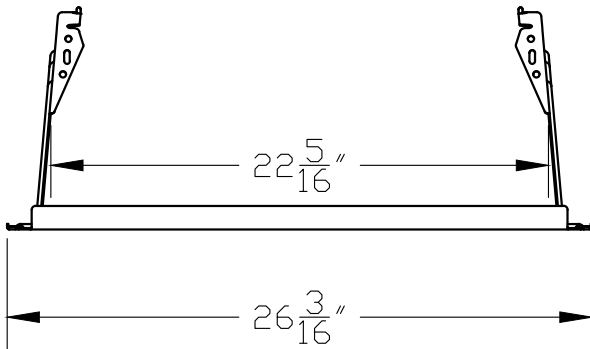
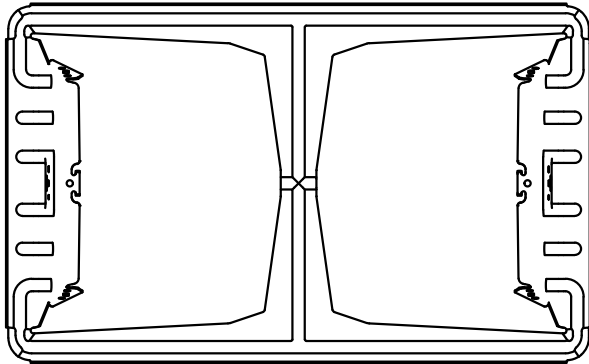
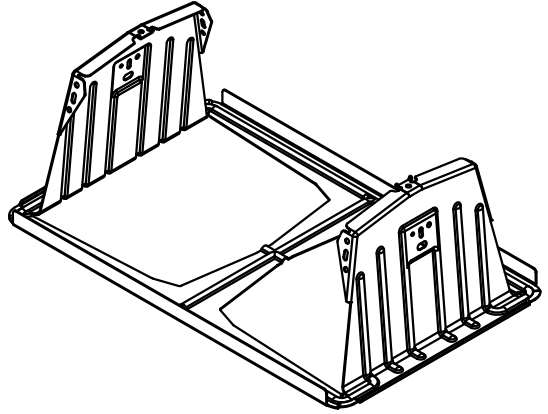
DRAWING NOT TO SCALE  
ALL DIMENSIONS ARE NOMINAL

PRODUCT PROTECTED BY ONE  
OR MORE US PATENTS

**LEGAL NOTICE**

**RMDT-PO1**

**SHEET**



1411 BROADWAY BLVD NE  
ALBUQUERQUE, NM 87102  
USA

WWW.UNIRAC.COM

<b>PRODUCT LINE:</b>	RMDT
<b>DRAWING TYPE:</b>	PART
<b>DESCRIPTION:</b>	RMDT RIDGE BAY
<b>REVISION DATE:</b>	October_2016

DRAWING NOT TO SCALE  
ALL DIMENSIONS ARE NOMINAL

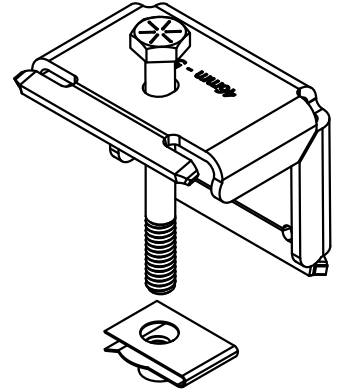
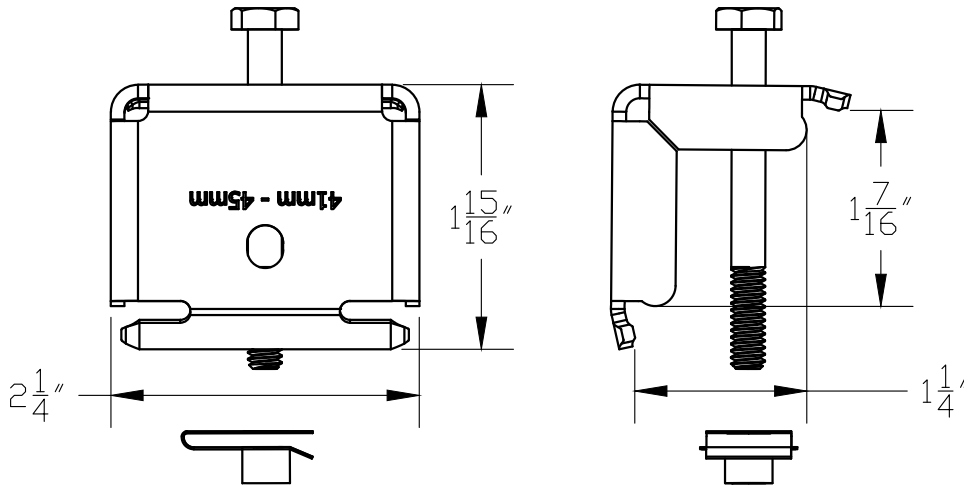
PRODUCT PROTECTED BY ONE  
OR MORE US PATENTS

**LEGAL NOTICE**

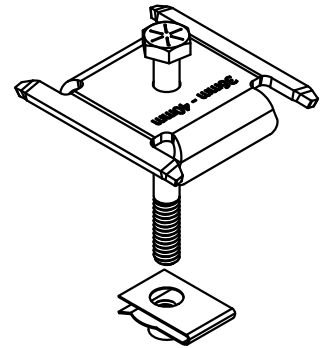
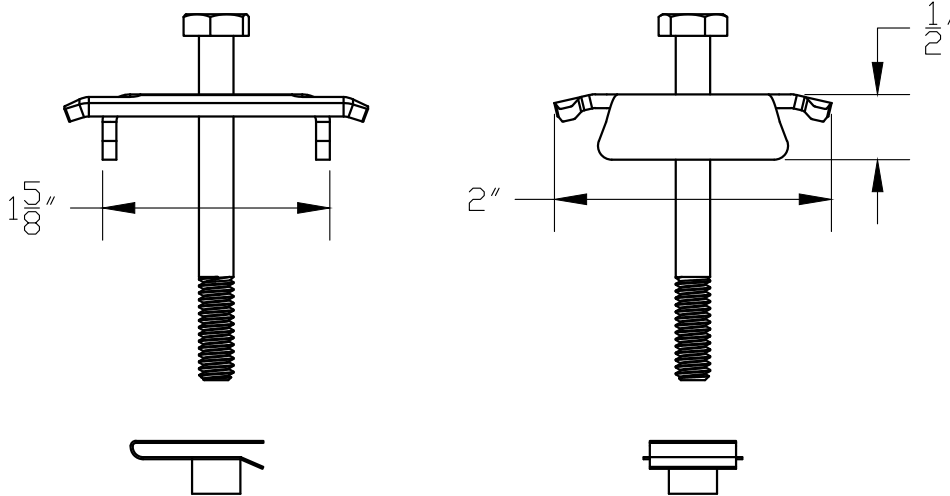
**RMDT-P02**

**SHEET**

## END CLAMP



## MID CLAMP



**UNIRAC**

1411 BROADWAY BLVD NE  
ALBUQUERQUE, NM 87102  
USA

WWW.UNIRAC.COM

<b>PRODUCT LINE:</b>	RMDT
<b>DRAWING TYPE:</b>	PART
<b>DESCRIPTION:</b>	RMDT CLAMPS
<b>REVISION DATE:</b>	October_2016

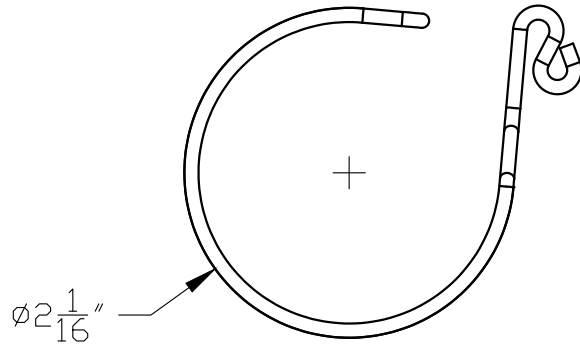
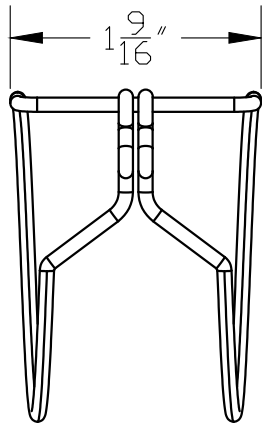
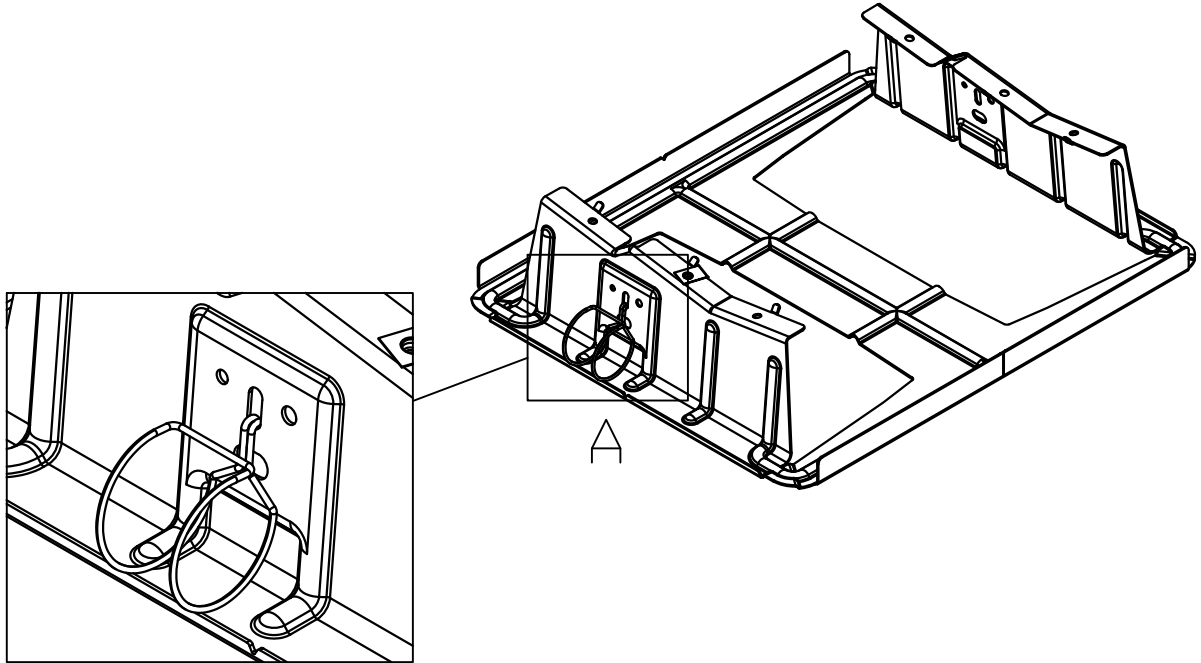
DRAWING NOT TO SCALE  
ALL DIMENSIONS ARE NOMINAL

PRODUCT PROTECTED BY ONE  
OR MORE US PATENTS

**LEGAL NOTICE**

**RMDT-P03**

**SHEET**



**UNIRAC**<sup>®</sup>

1411 BROADWAY BLVD NE  
ALBUQUERQUE, NM 87102  
USA

WWW.UNIRAC.COM

<b>PRODUCT LINE:</b>	RMDT
<b>DRAWING TYPE:</b>	PART
<b>DESCRIPTION:</b>	RMDT WIRE CLIP
<b>REVISION DATE:</b>	October_2016

DRAWING NOT TO SCALE  
ALL DIMENSIONS ARE NOMINAL

PRODUCT PROTECTED BY ONE  
OR MORE US PATENTS

**LEGAL NOTICE**

**RMDT-P04**

**SHEET**