

# UNIRAC<sup>®</sup>

## MASTER PRICE LIST

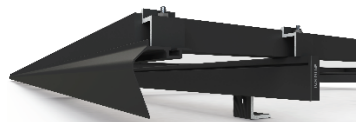
**LESS RAIL, MORE PERFORMANCE**



SUNFRAME MICRORAIL  UNIRAC

**GET OFF THE ROOF FASTER**

FEATURING A SUPERIOR AESTHETICS PACKAGE



SOLAR MOUNT  UNIRAC

**MAXIMIZE ENERGY DENSITY**

MAXIMIZE PROFITABILITY AT EVERY STEP



ROOF MOUNT | RMDT  UNIRAC

**OPTIMIZE ARRAY LAYOUT**

MAXIMIZE PROFITABILITY AT EVERY STEP



ROOF MOUNT | RM5  UNIRAC

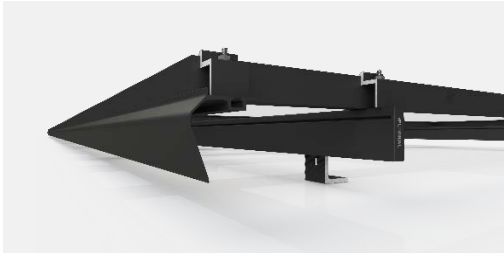
PUB2017JAN24-A

# TABLE OF CONTENTS



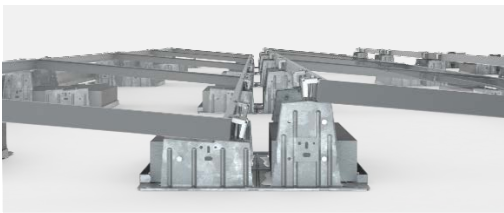
## **NEW SUNFRAME MICRORAIL • LESS RAIL, MORE PERFORMANCE** **PAGE 1**

SUNFRAME MICRORAIL™ (SFM) is a hybrid racking system including a structural front Trimrail™ for fastest array alignment and superior aesthetics. Minimize total labor with pre-assembled parts, integrated bonding hardware and one tool installation. Compact packaging with few SKUs lowers logistics costs from the warehouse to the roof. Patented mounting components provide post-install height adjustment and allow for removal of individual panels for maintenance.



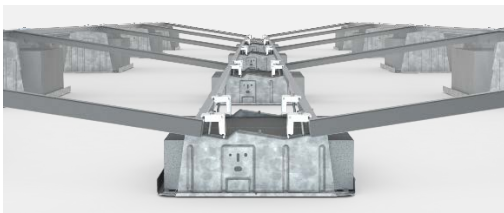
## **SOLARMOUNT • GET OFF THE ROOF FASTER** **PAGE 4**

SOLARMOUNT defined the standard in solar racking. Features are designed to get installers off the roof faster. Our grounding & bonding process eliminates copper wire and grounding straps to reduce costs. SOLARMOUNT is available in standard or light rail to meet your design requirements at the lowest cost possible. The superior aesthetics package provides a streamlined clean edge for enhanced curb appeal, with no special brackets required for installation.



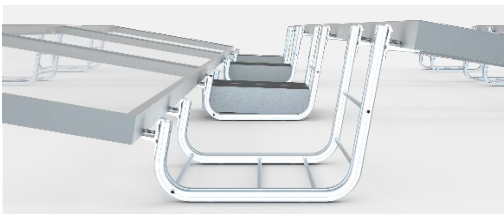
## **NEW ROOFMOUNT | RM5 • OPTIMIZE ARRAY LAYOUT** **PAGE 8**

RM5 system provides unsurpassed adaptability and layout flexibility with 5 degree tilt. Row spacing options of 7.5 IN. or 11 IN. give you the ability to maximize array layout and increase project energy production. Wind deflectors provide ballast reduction and fire mitigation to reduce overall system weight on the roof to meet a variety of project requirements.



## **NEW ROOFMOUNT | RMDT • MAXIMIZE ENERGY DENSITY** **PAGE 8**

RMDT system maximizes energy density, with 8 degree dual tilt, allowing up to 33% more modules on the roof. The elimination of wind deflectors and fire skirts reduces part count and streamlines the system installation.



## **ROOFMOUNT | RM10 • SIMPLE DESIGN - FEW COMPONENTS** **PAGE 9**

RM10 introduced the Power of Simplicity to the ballasted flat roof solar industry. The system consists of only two major components, minimizing preparation work and installation time with one tool assembly. Seamlessly design around roof obstacles, support most framed modules and bond the system with just the turn of a wrench.

## **SUNFRAME • SLEEK - LOW PROFILE DESIGN** **PAGE 10**

## **UNIRAC LARGE ARRAY • MODULAR FLEXIBILITY** **PAGE 12**

## **ROOF ATTACHMENTS & MISC.** **PAGE 13**



## LEARN MORE / GET INFORMATION

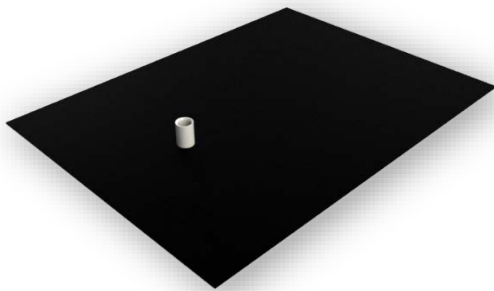
[SUNFRAME MICRORAIL \(SFM\) PRODUCT PAGE](#)

## LAYOUT YOUR PROJECT IN SECONDS

[GET A SFM QUOTE / BOM WITH U-BUILDER](#)

## PURCHASE NOW

[CLICK HERE TO FIND A UNIRAC DISTRIBUTOR](#)



**SFM RAISED SEAL FLASHING (P/N 004020D)**

## COMPONENTS FOR USE WITH SFM RAISED SEAL FLASHING

### SUNFRAME MICRORAIL TRIMRAIL ROOF ATTACHMENT, FLASHING & ACCESSORIES

P/N	DESCRIPTION	LIST PRICE (EA)	PACK SIZE	SHIP WT. LBS
① 240904F	SFM TRIM ROOF ATT ASSY RS	\$ 14.20	10	7.00
004020D	SFM RAISED SEAL FLASHING	\$ 13.91	50	18.00
030027C	HDW LAG BOLT, 5/16 X 4	\$ 0.79	50	4.00
030028C	HDW LAG BOLT, 5/16 X 4.5	\$ 0.80	50	4.00

### SUNFRAME MICRORAIL 3" MICRORAIL COMPONENTS (PRE-ASSEMBLED)

P/N	DESCRIPTION	LIST PRICE (EA)	PACK SIZE	SHIP WT. LBS
① 230332F	SFM MICRORAIL 3" 32MM RS	\$ 21.43	10	16.00
① 230335F	SFM MICRORAIL 3" 35MM RS	\$ 21.43	10	16.00
① 230340F	SFM MICRORAIL 3" 40MM RS	\$ 21.43	10	16.00
① 230346F	SFM MICRORAIL 3" 46MM RS	\$ 21.43	10	16.00

### SUNFRAME MICRORAIL 9" ATTACHED SPLICE (PRE-ASSEMBLED)

P/N	DESCRIPTION	LIST PRICE (EA)	PACK SIZE	SHIP WT. LBS
① 230932F	SFM ATT SPLICE 9" 32MM RS	\$ 36.27	8	30.00
① 230935F	SFM ATT SPLICE 9" 35MM RS	\$ 36.27	8	30.00
① 230940F	SFM ATT SPLICE 9" 40MM RS	\$ 36.27	8	31.00
① 230946F	SFM ATT SPLICE 9" 46MM RS	\$ 36.27	8	31.00

① COMPATIBLE WITH SFM RAISED SEAL FLASHING (P/N 004020D) ONLY

## KEY

### SYMBOL DESCRIPTION

CLR = CLEAR ANODIZED

DRK = DARK BRONZE ANODIZED (BLACK)

MILL = MILL FINISH ALUMINUM



## LEARN MORE / GET INFORMATION

SUNFRAME MICRORAIL (SFM) PRODUCT PAGE

## LAYOUT YOUR PROJECT IN SECONDS

GET A SFM QUOTE / BOM WITH U-BUILDER

## PURCHASE NOW

CLICK HERE TO FIND A UNIRAC DISTRIBUTOR



SFM FLAT FLASHING (P/N 004016D)

### KEY

SYMBOL	DESCRIPTION
CLR	= CLEAR ANODIZED
DRK	= DARK BRONZE ANODIZED (BLACK)
MILL	= MILL FINISH ALUMINUM

## COMPONENTS FOR USE WITH SFM FLAT FLASHING

### SUNFRAME MICRORAIL TRIMRAIL ROOF ATTACHMENT, FLASHING & ACCESSORIES

P/N	DESCRIPTION	LIST PRICE (EA)	PACK SIZE	SHIP WT. LBS
② 240904D	SFM TRIM ROOF ATT ASSY HEX	\$ 14.20	10	6.00
③ 004016D	SFM FLAT FLASHING	\$ 13.91	50	15.00
030027C	HDW LAG BOLT, 5/16 X 4	\$ 0.79	50	4.00
030028C	HDW LAG BOLT, 5/16 X 4.5	\$ 0.80	50	4.00

### SUNFRAME MICRORAIL 3" MICRORAIL COMPONENTS (PRE-ASSEMBLED)

P/N	DESCRIPTION	LIST PRICE (EA)	PACK SIZE	SHIP WT. LBS
② 230332B	SFM MICRORAIL 3" 32MM v2	\$ 21.43	10	12.00
② 230335B	SFM MICRORAIL 3" 35MM v2	\$ 21.43	10	12.00
② 230340B	SFM MICRORAIL 3" 40MM v2	\$ 21.43	10	13.00
② 230346B	SFM MICRORAIL 3" 46MM v2	\$ 21.43	10	13.00

### SUNFRAME MICRORAIL 9" ATTACHED SPLICE (PRE-ASSEMBLED)

P/N	DESCRIPTION	LIST PRICE (EA)	PACK SIZE	SHIP WT. LBS
② 230932B	SFM ATT SPLICE 9" 32MM v2	\$ 36.27	8	17.00
② 230935B	SFM ATT SPLICE 9" 35MM v2	\$ 36.27	8	17.00
② 230940B	SFM ATT SPLICE 9" 40MM v2	\$ 36.27	8	18.00
② 230946B	SFM ATT SPLICE 9" 46MM v2	\$ 36.27	8	18.00

② COMPATIBLE WITH SFM FLAT FLASHING (P/N 004016D) ONLY

③ SFM FLAT FLASHING MANUFACTURED BY ECOFASTEN SOLAR EcoFasten Solar®



[LEARN MORE / GET INFORMATION](#)

SUNFRAME MICRORAIL (SFM) PRODUCT PAGE

[LAYOUT YOUR PROJECT IN SECONDS](#)

GET A SFM QUOTE / BOM WITH U-BUILDER

[PURCHASE NOW](#)

CLICK HERE TO FIND A UNIRAC DISTRIBUTOR

## SUNFRAME MICRORAIL TRIMRAIL, SPLICE & ROOF ATTACHMENT

P/N	DESCRIPTION	LIST PRICE (EA)	PACK SIZE	SHIP WT. LBS
240132B	SFM TRIMRAIL 66" 32MM DRK 4PK v2	\$ 78.92	4	32.00
240232B	SFM TRIMRAIL 132" 32MM DRK 4PK v2	\$155.36	4	62.00
240135B	SFM TRIMRAIL 66" 35MM DRK 4PK v2	\$ 78.92	4	33.00
240235B	SFM TRIMRAIL 132" 35MM DRK 4PK v2	\$155.36	4	63.00
240140B	SFM TRIMRAIL 66" 40MM DRK 4PK v2	\$ 78.92	4	34.00
240240B	SFM TRIMRAIL 132" 40MM DRK 4PK v2	\$155.36	4	64.00
240146B	SFM TRIMRAIL 66" 46MM DRK 4PK v2	\$ 78.92	4	35.00
240246B	SFM TRIMRAIL 132" 46MM DRK 4PK v2	\$155.36	4	67.00
240903D	SFM TRIM SPLICE DRK	\$ 8.66	10	4.00
240905C	SFM FLOATING TRIM CLIP	\$ 5.00	100	1.50

## SUNFRAME MICRORAIL 9" SPLICE

P/N	DESCRIPTION	LIST PRICE (EA)	PACK SIZE	SHIP WT. LBS
230132B	SFM SPLICE 9" 32MM v2	\$ 22.78	18	28.00
230135B	SFM SPLICE 9" 35MM v2	\$ 22.78	18	28.00
230140B	SFM SPLICE 9" 40MM v2	\$ 22.78	18	28.00
230146B	SFM SPLICE 9" 46MM v2	\$ 22.78	18	28.00

## SUNFRAME MICRORAIL WIRE MANAGEMENT, MLPE MOUNT & ACCESSORIES

P/N	DESCRIPTION	LIST PRICE (EA)	PACK SIZE	SHIP WT. LBS
205000S	ENPHASE ENGAGE CABLE CLIP	\$ 2.65	100	4.00
008014M	MLPE MOUNT ASSY	\$ 3.99	10	1.00

## SUNFRAME MICRORAIL GROUNDING & BONDING HARDWARE

P/N	DESCRIPTION	LIST PRICE (EA)	PACK SIZE	SHIP WT. LBS
008015S	WIRE BND CLIP	\$ 2.77	10	1.00
008002S	GROUND WEEBLUG #1	\$ 11.20	20	2.00
008009P	ILSCO LAY IN LUG (GBL4DBT)	\$ 8.40	20	2.00

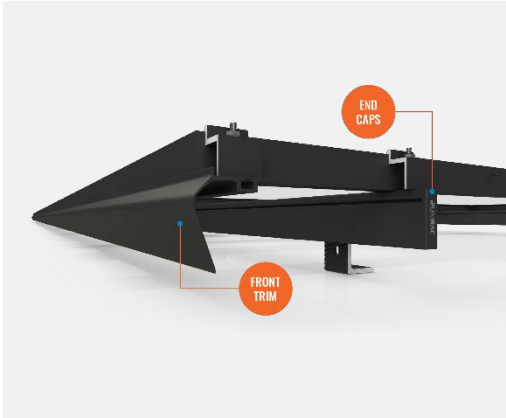
### KEY

#### SYMBOL DESCRIPTION

CLR = CLEAR ANODIZED

DRK = DARK BRONZE ANODIZED (BLACK)

MILL = MILL FINISH ALUMINUM



**LEARN MORE / GET INFORMATION**

SOLARMOUNT (SM) PRODUCT PAGE

**LAYOUT YOUR PROJECT IN SECONDS**

GET A SM QUOTE / BOM WITH U-BUILDER

**PURCHASE NOW**

CLICK HERE TO FIND A UNIRAC DISTRIBUTOR

**SOLARMOUNT STANDARD RAILS - DISTRIBUTOR PACK**

P/N	DESCRIPTION	LIST PRICE (EA)	PACK SIZE	SHIP WT. LBS
320132M	SM RAIL 132" MILL	\$ 55.60	144	1188.00
310132C	SM RAIL 132" CLR	\$ 64.60	144	1188.00
320168M	SM RAIL 168" MILL	\$ 70.75	144	1512.00
310168C	SM RAIL 168" CLR	\$ 82.25	144	1512.00
310168D	SM RAIL 168" DRK	\$ 97.25	144	1512.00
320208M	SM RAIL 208" MILL	\$ 87.60	144	1872.00
310208C	SM RAIL 208" CLR	\$101.80	144	1872.00
320240M	SM RAIL 240" MILL	\$101.10	144	2160.00
310240C	SM RAIL 240" CLR	\$117.50	144	2160.00
310240D	SM RAIL 240" DRK	\$138.90	144	2160.00

4 COMPATIBLE WITH SOLARMOUNT TOP MOUNTING CLAMPS ONLY

**SOLARMOUNT STANDARD RAILS - PRO-PAK BUNDLE OF 8 RAILS**

P/N	DESCRIPTION	LIST PRICE (EA)	PACK SIZE	SHIP WT. LBS
320132M-B	SM RAIL 132" MILL 8PK	\$ 62.50	8	66.00
310132C-B	SM RAIL 132" CLR 8PK	\$ 71.20	8	66.00
320168M-B	SM RAIL 168" MILL 8PK	\$ 79.10	8	84.00
310168C-B	SM RAIL 168" CLR 8PK	\$ 91.00	8	84.00
310168D-B	SM RAIL 168" DRK 8PK	\$113.63	8	84.00
320208M-B	SM RAIL 208" MILL 8PK	\$ 92.20	8	104.00
310208C-B	SM RAIL 208" CLR 8PK	\$113.50	8	104.00
320240M-B	SM RAIL 240" MILL 8PK	\$106.40	8	120.00
310240C-B	SM RAIL 240" CLR 8PK	\$132.65	8	120.00

4 COMPATIBLE WITH SOLARMOUNT TOP MOUNTING CLAMPS ONLY

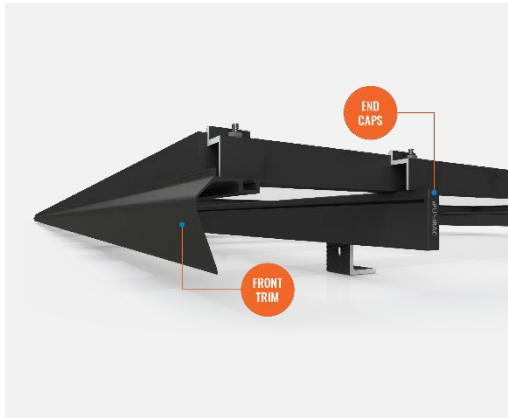
**KEY**

**SYMBOL DESCRIPTION**

CLR = CLEAR ANODIZED

DRK = DARK BRONZE ANODIZED (BLACK)

MILL = MILL FINISH ALUMINUM



## LEARN MORE / GET INFORMATION

[SOLARMOUNT \(SM\) PRODUCT PAGE](#)

## LAYOUT YOUR PROJECT IN SECONDS

[GET A SM QUOTE / BOM WITH U-BUILDER](#)

## PURCHASE NOW

[CLICK HERE TO FIND A UNIRAC DISTRIBUTOR](#)

### SOLARMOUNT LIGHT RAILS - DISTRIBUTOR PACK

P/N	DESCRIPTION	LIST PRICE (EA)	PACK SIZE	SHIP WT. LBS
315168M	SM LIGHT RAIL 168" MILL - NEW	\$ 50.83	144	991.00
315168D	SM LIGHT RAIL 168" DRK - NEW	\$ 66.93	144	991.00
315240M	SM LIGHT RAIL 240" MILL - NEW	\$ 72.61	144	1417.00
315240D	SM LIGHT RAIL 240" DRK - NEW	\$ 95.62	144	1417.00

**4** COMPATIBLE WITH SOLARMOUNT TOP MOUNTING CLAMPS ONLY

### SOLARMOUNT HD (HEAVY DUTY) RAILS - SPECIAL ORDER

P/N	DESCRIPTION	LIST PRICE (EA)	PACK SIZE	SHIP WT. LBS
410144M	SMHD, RAIL 144" MILL	\$146.00	1	15.00
410168M	SMHD, RAIL 168" MILL	\$166.00	1	17.00
410204M	SMHD RAIL 204" MILL	\$201.00	1	20.00
410240M	SMHD, RAIL 240" MILL	\$235.00	1	25.00

### SOLARMOUNT BOTTOM MOUNTING CLIPS (USE w/ SM HD RAIL ONLY)

P/N	DESCRIPTION	LIST PRICE (EA)	PACK SIZE	SHIP WT. LBS
302000C	SMHD BOTTOM CLIPS W/HDW, CLR	\$ 1.30	20	2.00

**5** COMPATIBLE WITH SOLARMOUNT HEAVY DUTY (SMHD) RAIL ONLY

### SOLARMOUNT TRIM & END CAPS

P/N	DESCRIPTION	LIST PRICE (EA)	PACK SIZE	SHIP WT. LBS
206072D-B	SM TRIM 168" DRK 8PK - NEW	\$105.00	8	77.00
309002P	SM LIGHT RAIL END CAP, UV-BLK	\$ 1.20	20	4.00
309001P	SM STND RAIL END CAP, UV-BLK	\$ 1.20	20	4.00

#### KEY

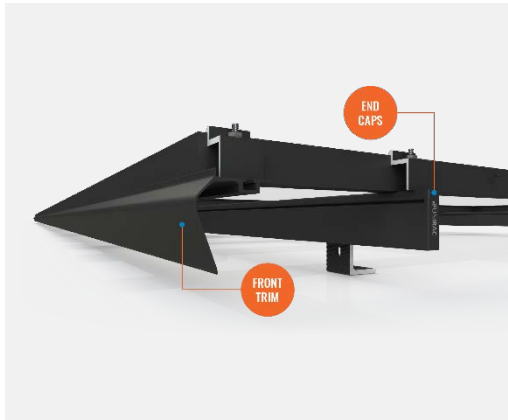
SYMBOL	DESCRIPTION
--------	-------------

CLR = CLEAR ANODIZED

DRK = DARK BRONZE ANODIZED (BLACK)

MILL = MILL FINISH ALUMINUM

UV = UV RESISTANT PLASTIC BLACK



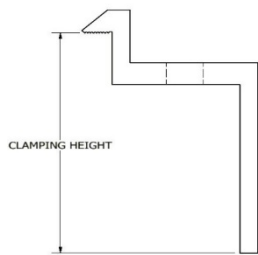
## SOLARMOUNT PRE-ASSEMBLED TOP MOUNTING ENDCLAMPS

P/N	DESCRIPTION	LIST PRICE (EA)	PACK SIZE	SHIP WT. LBS
302021C	SM ENDCLAMP B CLR AL	\$ 3.55	20	2.00
302021D	SM ENDCLAMP B DRK AL	\$ 4.00	20	2.00
302022C	SM ENDCLAMP C CLR AL	\$ 3.55	20	2.00
302022D	SM ENDCLAMP C DRK AL	\$ 4.00	20	2.00
302023C	SM ENDCLAMP D CLR AL	\$ 3.55	20	2.00
302023D	SM ENDCLAMP D DRK AL	\$ 4.00	20	2.00
302024C	SM ENDCLAMP E CLR AL	\$ 3.55	20	2.00
302024D	SM ENDCLAMP E DRK AL	\$ 4.00	20	2.00
302025C	SM ENDCLAMP F CLR AL	\$ 3.55	20	2.00
302025D	SM ENDCLAMP F DRK AL	\$ 4.00	20	2.00
302026C	SM ENDCLAMP K CLR AL	\$ 3.55	20	2.00
302026D	SM ENDCLAMP K DRK AL	\$ 4.00	20	2.00

## TOP MOUNTING CLAMP HEIGHT & BOLT LENGTH

LETTER	MODULE THICKNESS		BOLT LG
B	30MM - 32MM	1.18IN - 1.26IN	2.00IN
C	33MM - 36MM	1.30IN - 1.42IN	2.00IN
D	38MM - 40MM	1.50IN - 1.57IN	2.25IN
K	39MM - 41MM	1.54IN - 1.61IN	2.25IN
F	45MM - 47MM	1.77IN - 1.85IN	2.50IN
E	50MM - 51MM	1.97IN - 2.00IN	2.50IN

## CLAMP HEIGHT



## SOLARMOUNT PRE-ASSEMBLED INTEGRATED BND TOP MOUNTING MIDCLAMPS

P/N	DESCRIPTION	LIST PRICE (EA)	PACK SIZE	SHIP WT. LBS
302027C	SM BND MIDCLAMP BC SS	\$ 4.15	20	2.00
302027D	SM BND MIDCLAMP BC DRK SS	\$ 5.00	20	2.00
302028C	SM BND MIDCLAMP EF SS	\$ 4.15	20	2.00
302028D	SM BND MIDCLAMP EF DRK SS	\$ 5.00	20	2.00
302029C	SM BND MID CLAMP DK SS	\$ 4.15	20	2.00
302029D	SM BND MID CLAMP DK DRK SS	\$ 5.00	20	2.00

## SOLARMOUNT OPTIMIZED L-FEET & INTEGRATED BONDING SPLICE BARS

P/N	DESCRIPTION	LIST PRICE (EA)	PACK SIZE	SHIP WT. LBS
<b>6/7</b> 303018C	BND SPLICE BAR SERRATED CLR	\$ 7.85	20	9.00
<b>6/7</b> 303018D	BND SPLICE BAR SERRATED DRK	\$ 9.00	20	9.00
304001C	L-FOOT SERR W/ T-BOLT, CLR	\$ 4.35	20	5.00
304001D	L-FOOT SERR W/ T-BOLT, DRK	\$ 4.55	20	5.00

**6** COMPATIBLE WITH SM STANDARD, SM LIGHT & HD (SMHD) RAIL ONLY

**7** REQUIRED FOR INTEGRATED BONDING OF SOLARMOUNT SYSTEM

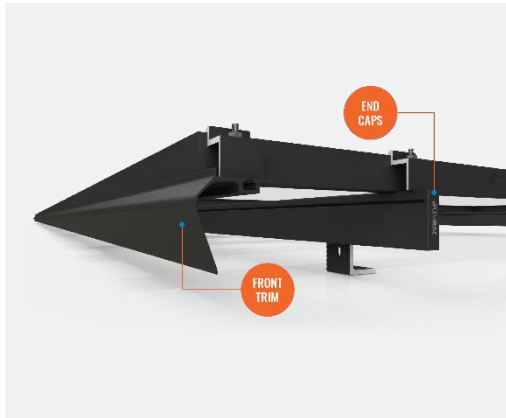
## KEY

SYMBOL	DESCRIPTION
AL	= ALUMINUM
CLR	= CLEAR ANODIZED
DRK	= DARK BRONZE ANODIZED
SS	= STAINLESS STEEL
DRK SS	= BLACK OXIDE COATED STAINLESS STEEL

## L-FOOT & SPLICE SPARE HARDWARE

P/N	DESCRIPTION	LIST PRICE (EA)	PACK SIZE	SHIP WT. LBS
009010S	SPLICE TEK SCRW #12-14X3/4" SS	\$ 0.75	80	1.00
009020S	BND T-BOLT&NUT 3/8" X 3/4" SS	\$ 1.30	20	1.00





## SOLARMOUNT ADJUSTABLE TILT LEGS - SINGLE LEG KIT (L-FEET NOT INCLUDED)

P/N	DESCRIPTION	LIST PRICE (EA)	PACK SIZE	SHIP WT. LBS
307107M	SM ADJ TILT LEG, 8-12", W/HDW	\$ 39.00	1	2.00
307115M	SM ADJ TILT LEG, 18-30", W/HDW	\$ 42.00	1	3.00
307120M	SM ADJ TILT LEG, 26-44", W/HDW	\$ 44.00	1	4.00
307134M	SM ADJ TILT LEG, 40-72", W/HDW	\$ 83.00	1	5.00

- 8 MOUNTING HOLE LOCATIONS ARE 1 IN. FROM EACH END OF TILT LEG(S)
- 9 INCLUDES EXTRA HEX HEAD BOLT W/ NUT FOR MOUNTING L-FOOT TO TILT LEG
- 10 COMPATIBLE WITH SM STANDARD & HD (SMHD) RAIL ONLY

### LEARN MORE / GET INFORMATION

[SOLARMOUNT \(SM\) PRODUCT PAGE](#)

### LAYOUT YOUR PROJECT IN SECONDS

[GET A SM TILT QUOTE / BOM WITH U-BUILDER](#)

### PURCHASE NOW

[CLICK HERE TO FIND A UNIRAC DISTRIBUTOR](#)

## SOLARMOUNT INTEGRATED BONDING MICROINVERTER MOUNT

P/N	DESCRIPTION	LIST PRICE (EA)	PACK SIZE	SHIP WT. LBS
008013S	MICRO MNT BND T-BOLT 1/4"X3/4" SS	\$ 1.50	20	2.00

## WIRE MANAGEMENT

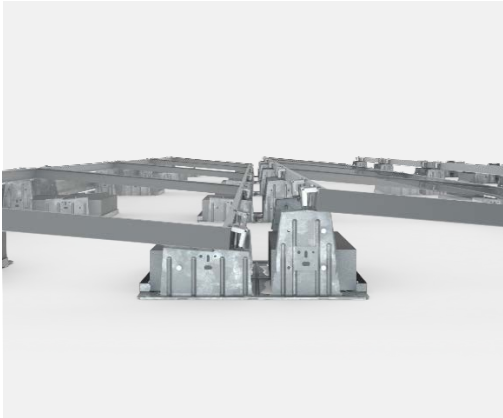
P/N	DESCRIPTION	LIST PRICE (EA)	PACK SIZE	SHIP WT. LBS
008012P	MICRO WIRE MGT CLIP UV PLSTC	\$ 0.70	20	1.00
008003S	ONE WIRE CLIP, SS	\$ 0.36	500	3.00
008004S	TWO WIRE CLIP, SS	\$ 0.40	500	3.00

## GROUNDING & BONDING HARDWARE

P/N	DESCRIPTION	LIST PRICE (EA)	PACK SIZE	SHIP WT. LBS
008002S	GROUND WEEBLUG #1	\$ 11.20	20	2.00
008009P	ILSCO LAY IN LUG (GBL4DBT)	\$ 8.40	20	2.00

### KEY

SYMBOL	DESCRIPTION
UV	= UV RESISTANT PLASTIC BLACK
SS	= STAINLESS STEEL

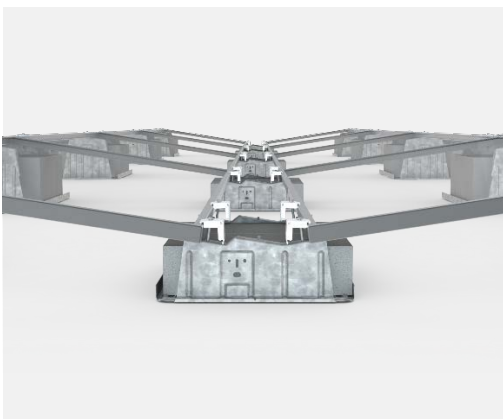


**LEARN MORE / GET INFORMATION**

ROOFMOUNT (RM5) PRODUCT PAGE

**LAYOUT YOUR PROJECT IN SECONDS**

GET A RM5 QUOTE / BOM WITH U-BUILDER



**LEARN MORE / GET INFORMATION**

ROOFMOUNT (RMDT) PRODUCT PAGE

**LAYOUT YOUR PROJECT IN SECONDS**

GET A RMDT QUOTE / BOM WITH U-BUILDER

**PURCHASE NOW**

CLICK HERE TO FIND A UNIRAC DISTRIBUTOR

**ROOFMOUNT - RM5 BAY, CLAMPS, HDWR, WIRE MGT. & ATTACHMENT**

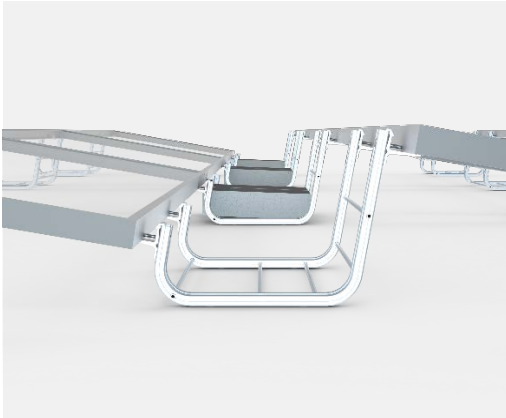
P/N	DESCRIPTION	LIST PRICE (EA)	PACK SIZE	SHIP WT. LBS
310800	RM5 BAY	\$ 49.50	200	1435.00
310803	RM5 BAY, PVC	\$ 54.20	200	1435.00
310810	RM5 WIND DEFLECTOR, 84"	\$ 34.80	60	385.00
310820	RM5/DT ENDCLAMP 32-40MM	\$ 3.60	20	5.50
310821	RM5/DT ENDCLAMP 41-45MM	\$ 3.60	20	5.50
310822	RM5/DT ENDCLAMP 46-50MM	\$ 3.60	20	5.50
310850	RM5/DT WIRE MGMT CLIP	\$ 1.80	20	1.00
310851	RM5 WD WIRE MGMT CLIP	\$ 1.50	20	1.00
310860	RM5/DT 1/4-20 CLIP U-NUT SS18-8	\$ 0.60	20	1.00
310861	RM5, WIND DEFLECTOR HDW KIT	\$ 0.39	20	1.00
310880	RM5 ATTACHMENT KIT	\$ 20.00	2	6.00

**ROOFMOUNT - RMDT BAY(S), CLAMPS, HDWR, WIRE MGT. & ATTACHMENT**

P/N	DESCRIPTION	LIST PRICE (EA)	PACK SIZE	SHIP WT. LBS
310801	RMDT RIDGE BAY	\$ 66.40	150	1175.00
310802	RMDT VALLEY BAY	\$ 52.30	200	1125.00
310804	RMDT RIDGE BAY, PVC	\$ 73.70	150	1175.00
310805	RMDT VALLEY BAY, PVC	\$ 59.60	200	1125.00
310823	RMDT MIDCLAMP 46-50MM	\$ 3.90	20	5.50
310824	RMDT MIDCLAMP 41-45MM	\$ 3.90	20	5.50
310825	RMDT MIDCLAMP 36-40MM	\$ 3.90	20	5.50
310826	RMDT MIDCLAMP 32-35MM	\$ 3.90	20	5.50
310820	RM5/DT ENDCLAMP 32-40MM	\$ 3.60	20	5.50
310821	RM5/DT ENDCLAMP 41-45MM	\$ 3.60	20	5.50
310822	RM5/DT ENDCLAMP 46-50MM	\$ 3.60	20	5.50
310850	RM5/DT WIRE MGMT CLIP	\$ 1.80	20	1.00
310851	RM5 WD WIRE MGMT CLIP	\$ 1.50	20	1.00
310860	RM5/DT 1/4-20 CLIP U-NUT SS18-8	\$ 0.60	20	1.00
310881	RMDT ATTACHMENT KIT	\$ 20.00	2	5.00

**MLPE MOUNT, ACCESSORIES & GROUNDING / BONDING HARDWARE**

P/N	DESCRIPTION	LIST PRICE (EA)	PACK SIZE	SHIP WT. LBS
008014M	MLPE MOUNT ASSY	\$ 3.99	10	1.00
205000S	ENPHASE ENGAGE CABLE CLIP	\$ 2.65	100	4.00
008002S	GROUND WEEBLUG #1	\$ 11.20	20	2.00
008009P	ILSCO LAY IN LUG (GBL4DBT)	\$ 8.40	20	2.00



## ROOFMOUNT - RM10 BALLAST BAY, CLAMPS, BOLT & ROOF PAD

P/N	DESCRIPTION	LIST PRICE (EA)	PACK SIZE	SHIP WT. LBS
310710	RM10 BAY	\$ 81.20	100	325.00
310749	RM10 MODULE CLIP W/HEX BOLT	\$ 3.50	20	5.00
310750	RM10 MODULE CLIP BULK PK	\$ 2.15	200	35.50
310751	RM10 HEX BOLT BULK PK	\$ 0.90	400	28.00
310760	RM10 ROOF PAD	\$ 4.25	200	34.50

## MLPE MOUNT, ACCESSORIES & GROUNDING / BONDING HARDWARE

P/N	DESCRIPTION	LIST PRICE (EA)	PACK SIZE	SHIP WT. LBS
008014M	MLPE MOUNT ASSY	\$ 3.99	10	1.00
205000S	ENPHASE ENGAGE CABLE CLIP	\$ 2.65	100	4.00
008002S	GROUND WEEBLUG #1	\$ 11.20	20	2.00
008009P	ILSCO LAY IN LUG (GBL4DBT)	\$ 8.40	20	2.00

[LEARN MORE / GET INFORMATION](#)

[ROOFMOUNT \(RM10\) PRODUCT PAGE](#)

[LAYOUT YOUR PROJECT IN SECONDS](#)

[GET A RM10 QUOTE / BOM WITH U-BUILDER](#)



## LEARN MORE / GET INFORMATION

[SUNFRAME \(SF\) PRODUCT PAGE](#)

## LAYOUT YOUR PROJECT IN SECONDS

[GET A SF QUOTE /BOM WITH U-BUILDER](#)

## PURCHASE NOW

[CLICK HERE TO FIND A UNIRAC DISTRIBUTOR](#)

### SUNFRAME RAIL - BUNDLE OF 8 RAILS

P/N	DESCRIPTION	LIST PRICE (EA)	PACK SIZE	SHIP WT. LBS
210192C	SF RAIL 192", THREADED, CLR	\$171.62	8	153.00
210192D	SF RAIL 192", THREADED, DRK	\$197.62	8	153.00

### SUNFRAME L-FEET, SPLICE BARS & SPLICE PLATE

P/N	DESCRIPTION	LIST PRICE (EA)	PACK SIZE	SHIP WT. LBS
202000D	SF ENDCAPS, THREADED, UV-BLACK	\$ 3.40	20	2.00
① 303001C	SF SPLICE BAR SERRATED CLR	\$ 5.90	20	9.00
① 303002D	SF SPLICE BAR SERRATED DRK	\$ 6.20	20	10.00
304001C	L-FOOT SERR W/ T-BOLT, CLR	\$ 4.35	20	5.00
304001D	L-FOOT SERR W/ T-BOLT, DRK	\$ 4.55	20	5.00

① USE WITH SUNFRAME RAIL ONLY

### SUNFRAME MISC. HARDWARE

P/N	DESCRIPTION	LIST PRICE (EA)	PACK SIZE	SHIP WT. LBS
① 330006S	SF SPLICE BAR TEK SCREW	\$ 0.65	80	1.00

① USE WITH SUNFRAME RAIL ONLY

### GROUNDING & BONDING HARDWARE

P/N	DESCRIPTION	LIST PRICE (EA)	PACK SIZE	SHIP WT. LBS
008002S	GROUND WEEBLUG #1	\$ 11.20	20	2.00
008009P	ILSCO LAY IN LUG (GBL4DBT)	\$ 8.40	20	2.00

### WIRE MANAGEMENT

P/N	DESCRIPTION	LIST PRICE (EA)	PACK SIZE	SHIP WT. LBS
008003S	ONE WIRE CLIP, SS	\$ 0.36	500	3.00
008004S	TWO WIRE CLIP, SS	\$ 0.40	500	3.00

#### KEY

##### SYMBOL DESCRIPTION

CLR = CLEAR ANODIZED

DRK = DARK BRONZE ANODIZED (BLACK)

AL = MILL FINISH ALUMINUM



## SUNFRAME CAPSTRIPS (CAPSTRIP SCREWS SOLD SEPARATELY)

P/N	DESCRIPTION	LIST PRICE (EA)	PACK SIZE	SHIP WT. LBS
202001C	SF CAPSTRIP, 192", C, CLR	\$ 52.62	8	40.00
202001D	SF CAPSTRIP, 192", C, DRK	\$ 60.25	8	40.00
202002C	SF CAPSTRIP, 192", D, CLR	\$ 52.62	8	36.00
202002D	SF CAPSTRIP, 192", D, DRK	\$ 60.25	8	36.00
202003C	SF CAPSTRIP, 192", E, CLR	\$ 60.25	8	44.00
202003D	SF CAPSTRIP, 192", E, DRK	\$ 72.50	8	44.00
202004C	SF CAPSTRIP, 192", F, CLR	\$ 58.75	8	42.00
202004D	SF CAPSTRIP, 192", F, DRK	\$ 70.12	8	42.00

## CAP STRIP HEIGHT & SCREW LENGTH

LETTER	MODULE THICKNESS	SCREW LG
C	34MM - 36MM	1.34IN - 1.42IN
D	38MM - 40MM	1.50IN - 1.57IN
F	45MM - 47MM	1.77IN - 1.85IN
E	50MM - 52MM	1.97IN - 2.05IN

## LEARN MORE / GET INFORMATION

[SUNFRAME \(SF\) PRODUCT PAGE](#)

## LAYOUT YOUR PROJECT IN SECONDS

[GET A SF QUOTE /BOM WITH U-BUILDER](#)

## PURCHASE NOW

[CLICK HERE TO FIND A UNIRAC DISTRIBUTOR](#)

## SUNFRAME CAPSTRIP SCREWS

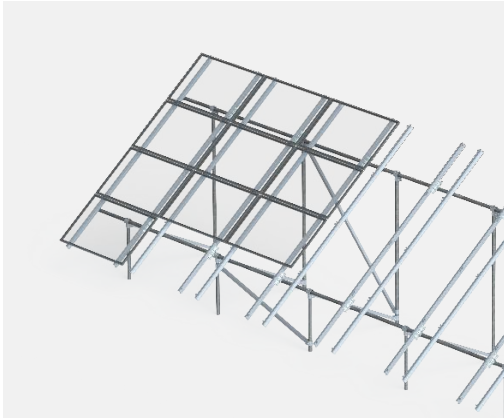
P/N	DESCRIPTION	LIST PRICE (EA)	PACK SIZE	SHIP WT. LBS
209000C	SF CAP SCREW, 1/4 X 3/4" CLR	\$ 0.69	100	2.00
209000D	SF CAP SCREW, 1/4 X 3/4" DRK	\$ 0.93	100	2.00
209001C	SF CAP SCREW, 1/4 X 1", CLR	\$ 0.76	100	2.00
209001D	SF CAP SCREW, 1/4 X 1", DRK	\$ 1.01	100	2.00
209002C	SF CAP SCREW, 1/4 X 1.25", CLR	\$ 0.83	100	2.00
209002D	SF CAP SCREW, 1/4 X 1.25", DRK	\$ 1.08	100	2.00
209003C	SF CAP SCREW, 1/4 X 1.5", CLR	\$ 0.91	100	3.00
209003D	SF CAP SCREW, 1/4 X 1.5", DRK	\$ 1.14	100	3.00

## KEY

### SYMBOL DESCRIPTION

CLR = CLEAR ANODIZED

DRK = DARK BRONZE ANODIZED (BLACK)



## ULA COMPONENTS FOR 2 IN. ID SCHEDULE 40/80 PIPE

P/N	DESCRIPTION	LIST PRICE (EA)	PACK SIZE	SHIP WT. LBS
403200C	ULA BRACE, 2"@ 7 FT, AL	\$ 68.00	1	10.00
403201C	ULA BRACE, 2"@ 10.5 FT, AL	\$ 99.00	1	16.00
403202C	ULA BRACE, 2"@ 14 FT, AL	\$129.00	1	21.00
403211C	ULA FRONT CAP, 2", AL	\$ 43.00	1	2.00
403213C	ULA RAIL BRACKET, 2", AL	\$ 18.99	1	2.00
403214C	ULA REAR CAP, 2", AL	\$ 43.00	1	2.00
403215C	ULA SLIDER, 2", AL	\$ 20.48	1	1.00
403216S	ULA THREADED FOOT, 2", STL	\$ 41.00	1	2.00

### SEE SOLARMOUNT

FOR RAILS, CLAMPS & BONDING COMPONENTS  
PAGES 3, 4, 5 & 6

### LEARN MORE / GET INFORMATION

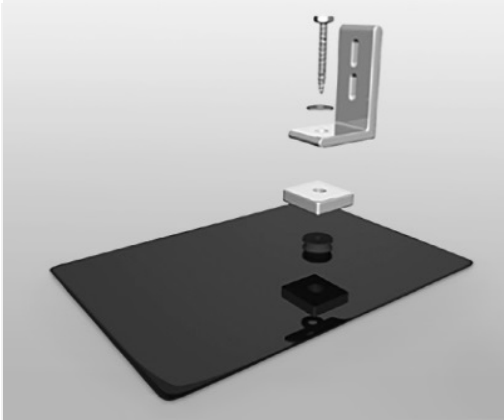
UNIRAC LARGE ARRAY (ULA) PRODUCT PAGE

#### KEY

SYMBOL	DESCRIPTION
--------	-------------

AL	= MILL FINISH ALUMINUM
----	------------------------

STL	= ZINC PLATED STEEL
-----	---------------------



## PURCHASE NOW

[CLICK HERE TO FIND A UNIRAC DISTRIBUTOR](#)

### ROOF ATTACHMENTS - TWO-PIECE AL. STANDOFFS (LAG BOLTS NOT INCLUDED)

P/N	DESCRIPTION	LIST PRICE (EA)	PACK SIZE	SHIP WT. LBS
004300C	STANDOFF 3" 2 PIECE AL, CLR	\$ 11.82	24	15.00
004300D	STANDOFF 3" 2 PIECE AL, DRK	\$ 12.40	24	15.00
004400C	STANDOFF 4" 2 PIECE AL, CLR	\$ 12.82	24	17.00
004400D	STANDOFF 4" 2 PIECE AL, DRK	\$ 13.56	24	17.00
004600C	STANDOFF 6" 2 PIECE AL, CLR	\$ 14.90	24	21.00
004600D	STANDOFF 6" 2 PIECE AL, DRK	\$ 15.65	24	21.00
004700C	STANDOFF 7" 2 PIECE AL, CLR	\$ 16.07	24	23.00
004700D	STANDOFF 7" 2 PIECE AL, DRK	\$ 16.65	24	22.00

### FLASHINGS - OATEY FLASHING FOR STANDOFFS

P/N	DESCRIPTION	LIST PRICE (EA)	PACK SIZE	SHIP WT. LBS
004013C	FLASH SOFT AL 18X18 OATEY 12836	\$ 12.00	12	11.00
004015C	FLASHING 9X12 OATEY 12920 AL	\$ 8.70	12	5.00

**12** FOR PITCHED ROOF UP TO 40 DEG. - NOT FOR HOT MOPPED OR BUILT-UP ROOF

### ROOF ATTACHMENTS - TWO-PIECE ALUMINUM STANDOFF HARDWARE

P/N	DESCRIPTION	LIST PRICE (EA)	PACK SIZE	SHIP WT. LBS
330007M	AL STNDOFF 3/8" BOLT&EPDMWSHR	\$ 3.40	24	1.00

### FLASHINGS - COMP. SHINGLE FLASHING (LAG BOLTS & L-FOOT NOT INCLUDED)

P/N	DESCRIPTION	LIST PRICE (EA)	PACK SIZE	SHIP WT. LBS
004025D	UNIRAC FLAT FLASHING	\$ 14.00	50	22.00

### ROOF ATTACHMENTS - TILE ROOF ATTACHMENTS (LAG BOLTS NOT INCLUDED)

P/N	DESCRIPTION	LIST PRICE (EA)	PACK SIZE	SHIP WT. LBS
004008C	TILE HOOK TOP MOUNT, AL	\$ 32.50	20	25.00

### ACCESSORIES - ENPHASE ENGAGE CABLE CLIP

P/N	DESCRIPTION	LIST PRICE (EA)	PACK SIZE	SHIP WT. LBS
205000S	ENPHASE ENGAGE CABLE CLIP	\$2.65	100	4.00

#### KEY

SYMBOL	DESCRIPTION
--------	-------------

CLR = CLEAR ANODIZED

DRK = DARK BRONZE ANODIZED (BLACK)

AL = ALUMINUM

STL = ZINC PLATED STEEL