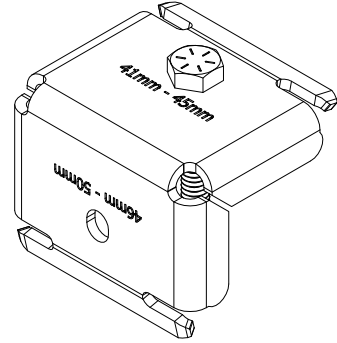
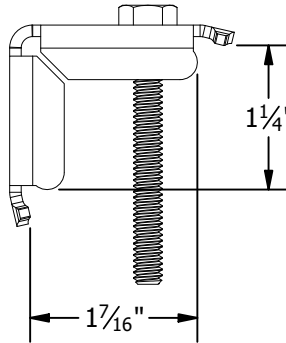
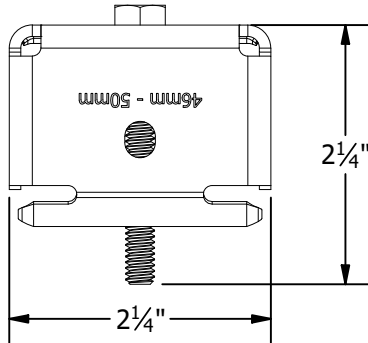
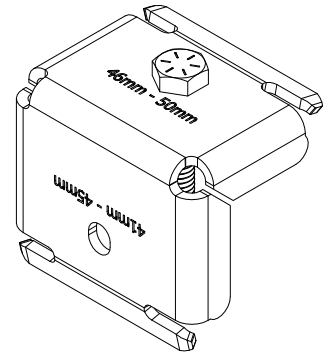
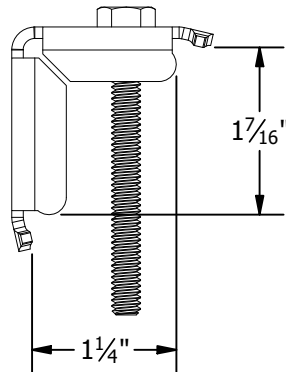
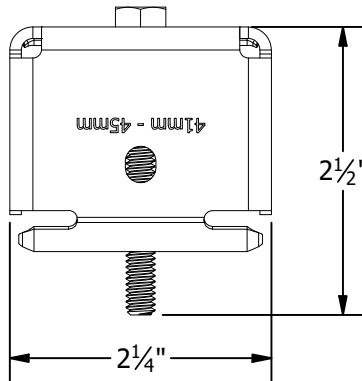


310820 - ENDCLAMP



310821 - ENDCLAMP



310822 - ENDCLAMP

PART # TABLE	
P/N	DESCRIPTION
310820	RM5/DT ENDCLAMP 30-40MM
310821	RM5/DT ENDCLAMP 41-45MM
310822	RM5/DT ENDCLAMP 46-50MM
310860	RM5/DT 1/4-20 CLIP U-NUT SS 18-8



310860 - 1/4-20 CLIP U-NUT



1411 BROADWAY BLVD. NE
ALBUQUERQUE, NM 87102 USA
PHONE: 505.242.6411
WWW.UNIRAC.COM

PRODUCT LINE:	RM5 ROOFMOUNT
DRAWING TYPE:	ASSEMBLY
DESCRIPTION:	ENDCLAMPS & 1/4" CLIP U-NUT
REVISION DATE:	2/10/2020

DRAWING NOT TO SCALE
ALL DIMENSIONS ARE
NOMINAL

PRODUCT PROTECTED BY
ONE OR MORE US PATENTS
LEGAL NOTICE

RM5-A05

SHEET