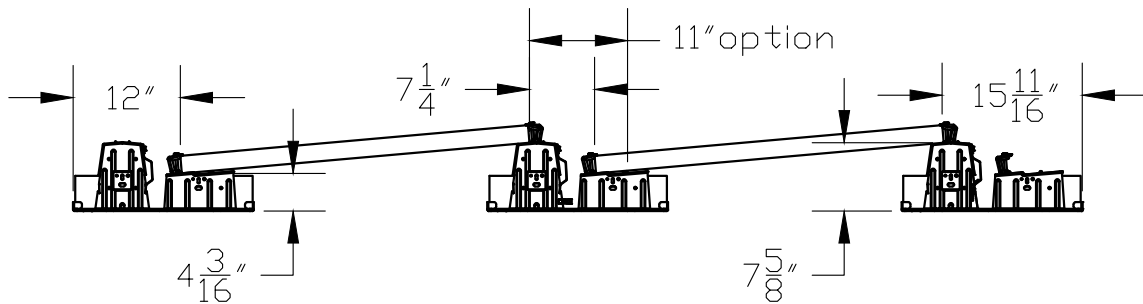
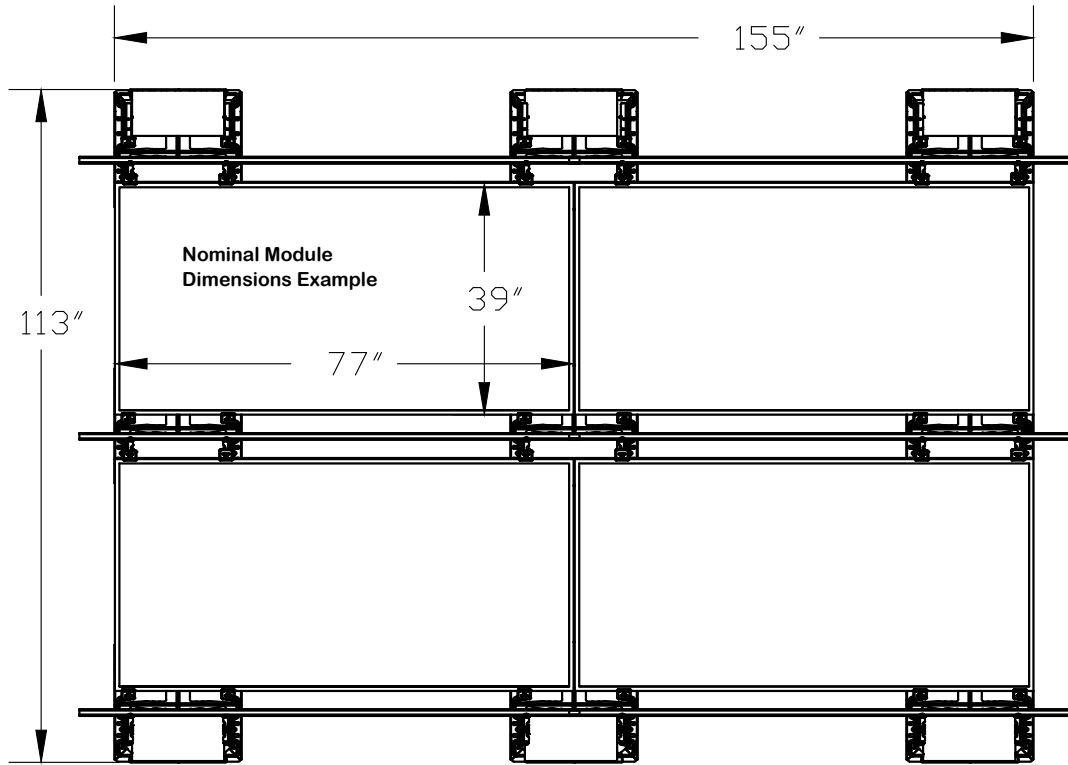
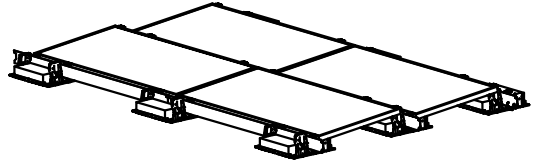


**NOTE: ARRAY DIMENSIONS WILL VARY BASED ON  
MODULE WIDTH & LENGTH.**



1411 BROADWAY BLVD NE  
ALBUQUERQUE, NM 87102  
USA

WWW.UNIRAC.COM

<b>PRODUCT LINE:</b>	RM5
<b>DRAWING TYPE:</b>	ASSEMBLY
<b>DESCRIPTION:</b>	2x2 SAMPLE
<b>REVISION DATE:</b>	October_2016

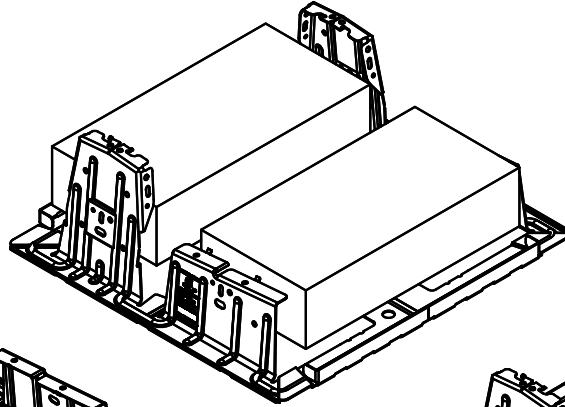
DRAWING NOT TO SCALE  
ALL DIMENSIONS ARE NOMINAL

PRODUCT PROTECTED BY ONE  
OR MORE US PATENTS

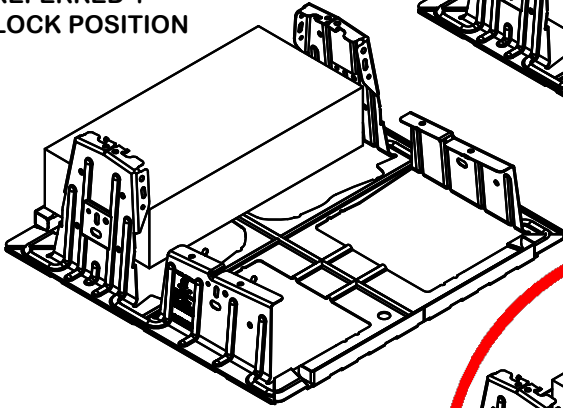
**LEGAL NOTICE**

**RM5-A01**  
**SHEET**

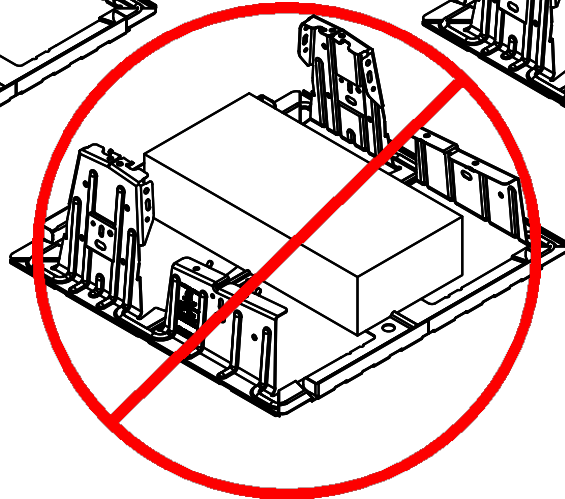
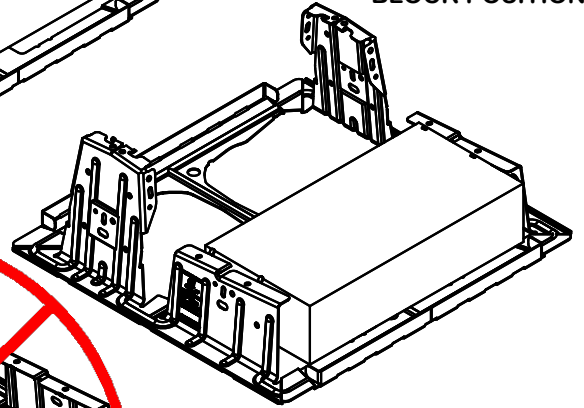
NORMAL 2 BLOCK  
POSITION ON BAY



PREFERRED 1  
BLOCK POSITION



ACCEPTABLE 1  
BLOCK POSITION



ROTATED BLOCK POSITION  
NOT ACCEPTABLE



1411 BROADWAY BLVD NE  
ALBUQUERQUE, NM 87102  
USA

WWW.UNIRAC.COM

<b>PRODUCT LINE:</b>	RM5
<b>DRAWING TYPE:</b>	ASSEMBLY
<b>DESCRIPTION:</b>	BLOCKS & HRDWR
<b>REVISION DATE:</b>	October_2016

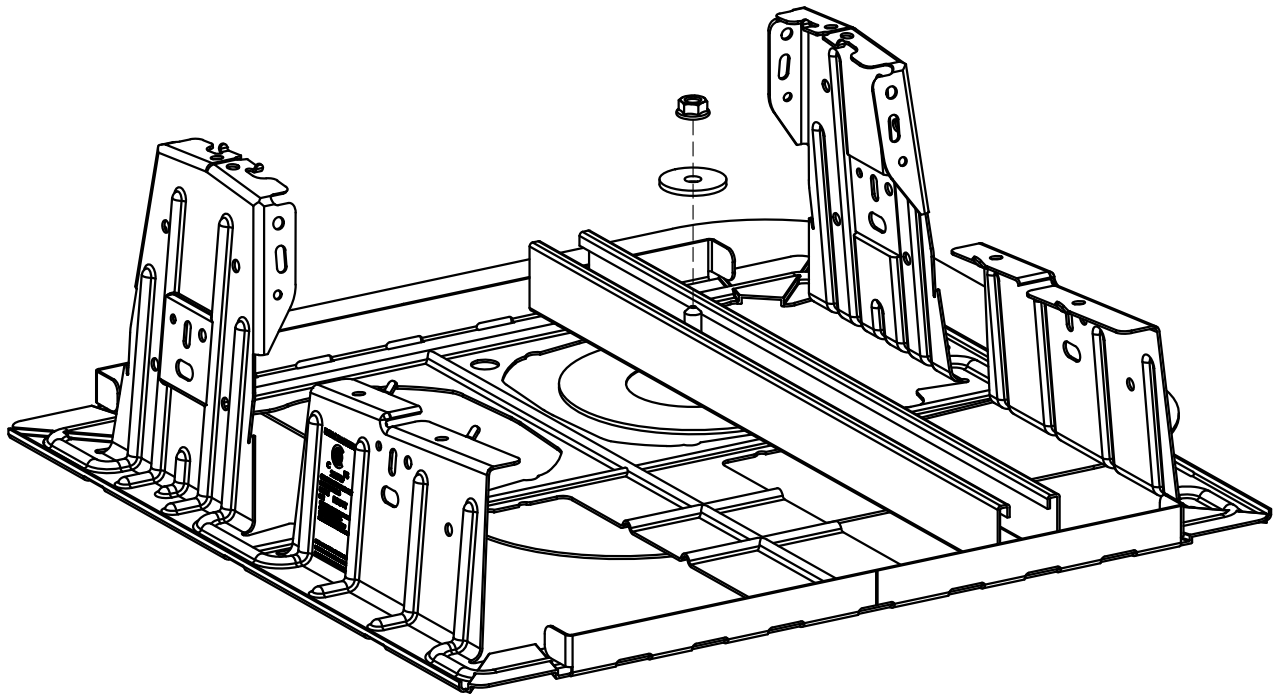
DRAWING NOT TO SCALE  
ALL DIMENSIONS ARE NOMINAL

PRODUCT PROTECTED BY ONE  
OR MORE US PATENTS

**LEGAL NOTICE**

**RM5-A02**

**SHEET**



1411 BROADWAY BLVD NE  
ALBUQUERQUE, NM 87102  
USA

WWW.UNIRAC.COM

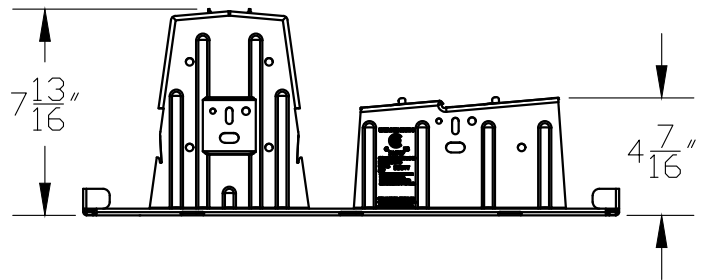
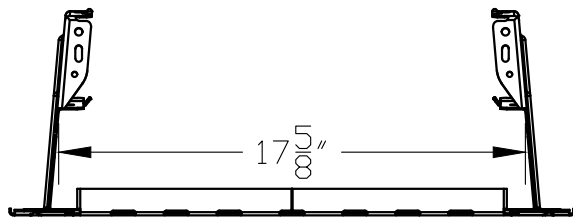
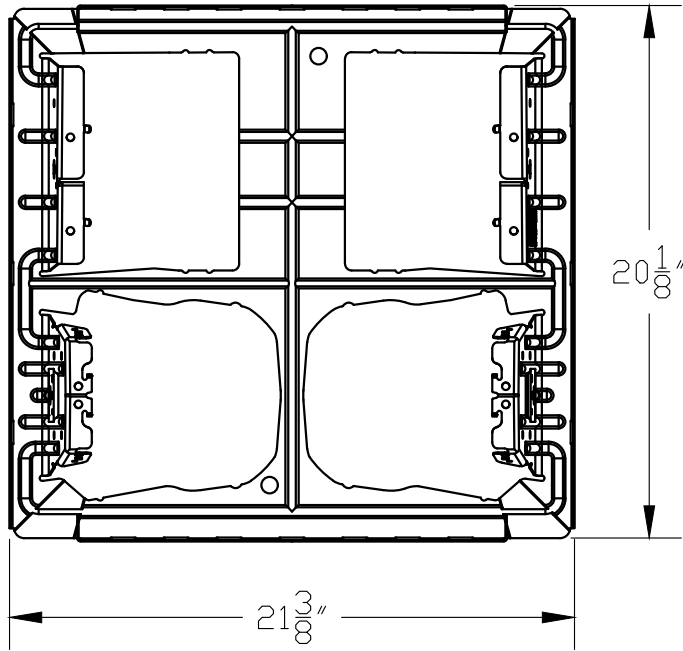
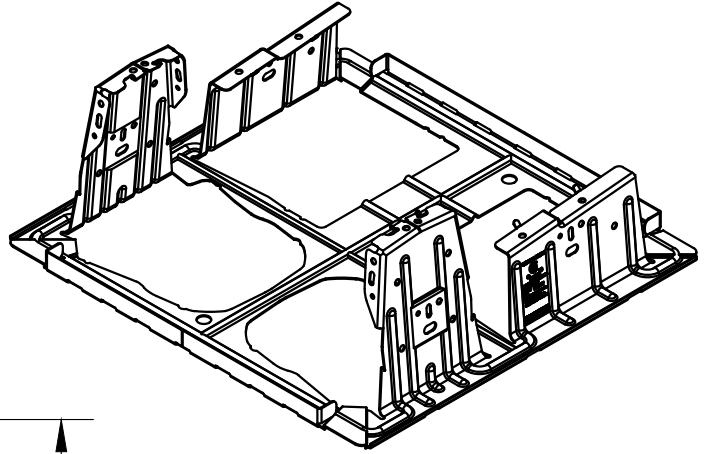
<b>PRODUCT LINE:</b>	RM5
<b>DRAWING TYPE:</b>	ASSEMBLY
<b>DESCRIPTION:</b>	RM5 ATTACHMENT
<b>REVISION DATE:</b>	October_2016

DRAWING NOT TO SCALE  
ALL DIMENSIONS ARE NOMINAL

PRODUCT PROTECTED BY ONE  
OR MORE US PATENTS

**LEGAL NOTICE**

**RM5-A03**  
**SHEET**



**UNIRAC**

1411 BROADWAY BLVD NE  
ALBUQUERQUE, NM 87102  
USA

WWW.UNIRAC.COM

<b>PRODUCT LINE:</b>	RM5
<b>DRAWING TYPE:</b>	PART
<b>DESCRIPTION:</b>	RM5 BAY
<b>REVISION DATE:</b>	October_2016

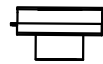
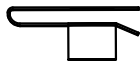
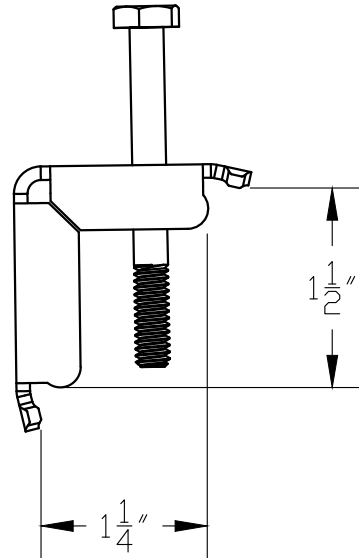
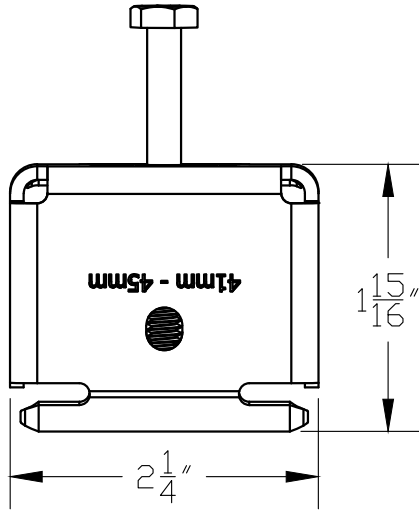
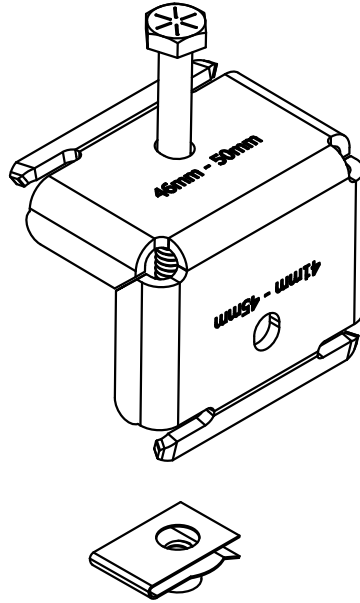
DRAWING NOT TO SCALE  
ALL DIMENSIONS ARE NOMINAL

PRODUCT PROTECTED BY ONE  
OR MORE US PATENTS

**LEGAL NOTICE**

**RM5-P01**

**SHEET**



1411 BROADWAY BLVD NE  
ALBUQUERQUE, NM 87102  
USA

WWW.UNIRAC.COM

<b>PRODUCT LINE:</b>	RM5
<b>DRAWING TYPE:</b>	PART
<b>DESCRIPTION:</b>	RM5 CLAMP
<b>REVISION DATE:</b>	October_2016

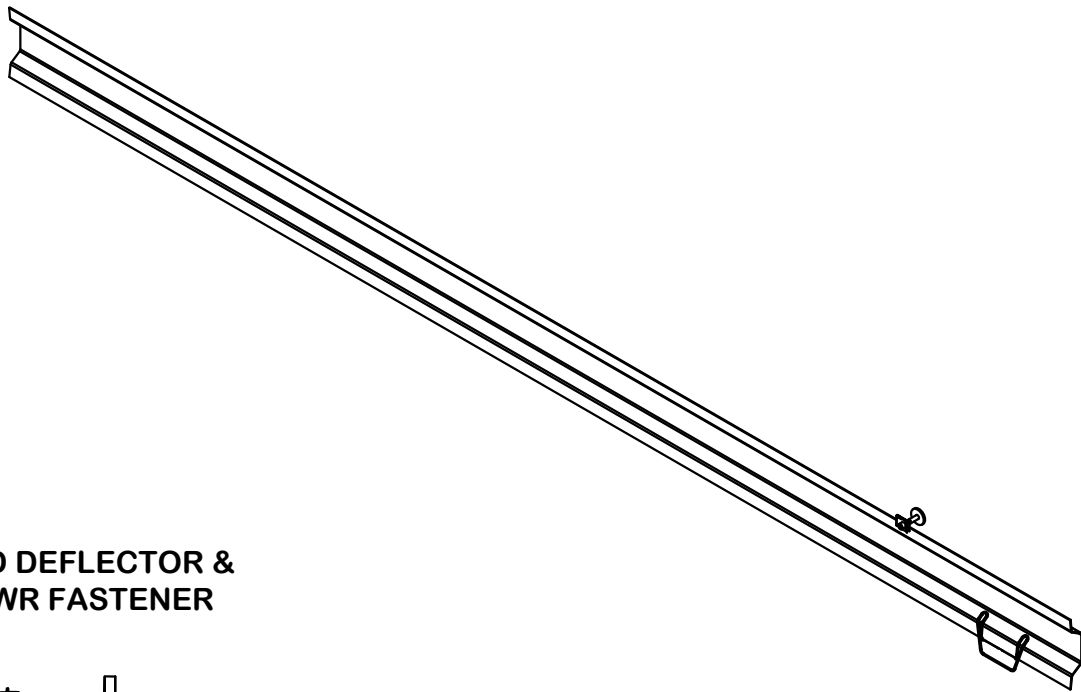
DRAWING NOT TO SCALE  
ALL DIMENSIONS ARE NOMINAL

PRODUCT PROTECTED BY ONE  
OR MORE US PATENTS

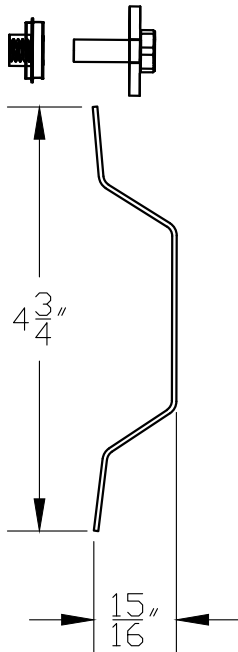
**LEGAL NOTICE**

**RM5-P02**

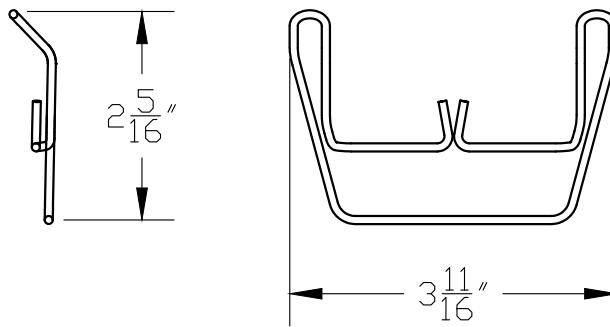
**SHEET**



**WIND DEFLECTOR &  
HRDWR FASTENER**



**WIRE CLIP FOR WIND DEFLECTOR**



Standard Trim Length:  
84 inch



1411 BROADWAY BLVD NE  
ALBUQUERQUE, NM 87102  
USA

WWW.UNIRAC.COM

<b>PRODUCT LINE:</b>	RM5
<b>DRAWING TYPE:</b>	PART
<b>DESCRIPTION:</b>	RM5 WIND DEFLECTOR & WIRE CLIP
<b>REVISION DATE:</b>	October_2016

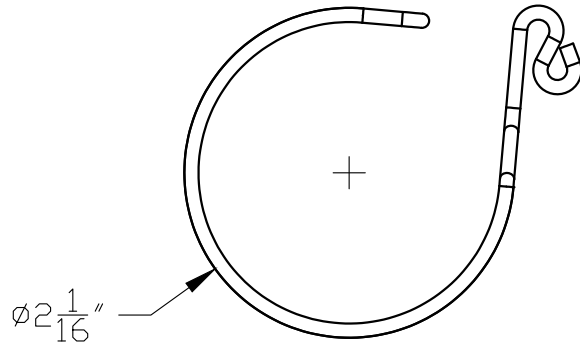
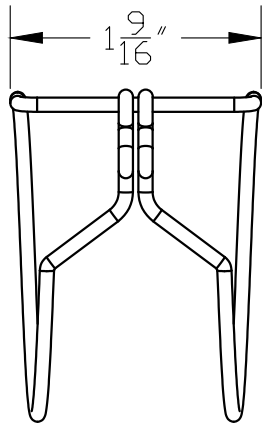
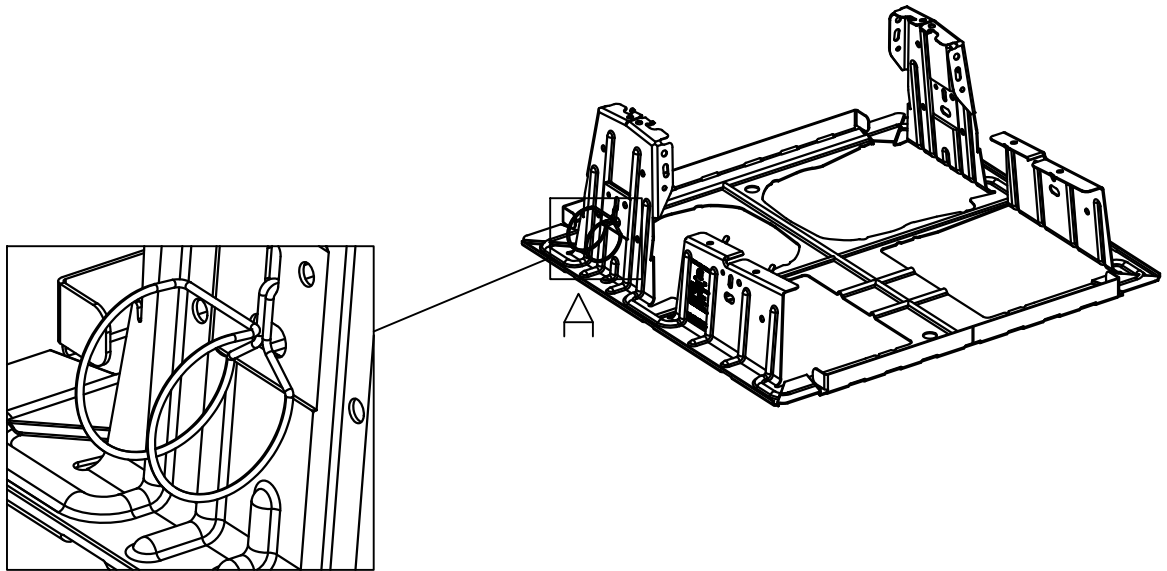
DRAWING NOT TO SCALE  
ALL DIMENSIONS ARE NOMINAL

PRODUCT PROTECTED BY ONE  
OR MORE US PATENTS

**LEGAL NOTICE**

**RM5-P03**

**SHEET**



**UNIRAC**<sup>®</sup>

1411 BROADWAY BLVD NE  
ALBUQUERQUE, NM 87102  
USA

WWW.UNIRAC.COM

<b>PRODUCT LINE:</b>	RM5
<b>DRAWING TYPE:</b>	PART
<b>DESCRIPTION:</b>	RM5 WIRE CLIP
<b>REVISION DATE:</b>	October_2016

DRAWING NOT TO SCALE  
ALL DIMENSIONS ARE NOMINAL

PRODUCT PROTECTED BY ONE  
OR MORE US PATENTS

**LEGAL NOTICE**

**RM5-P04**

**SHEET**