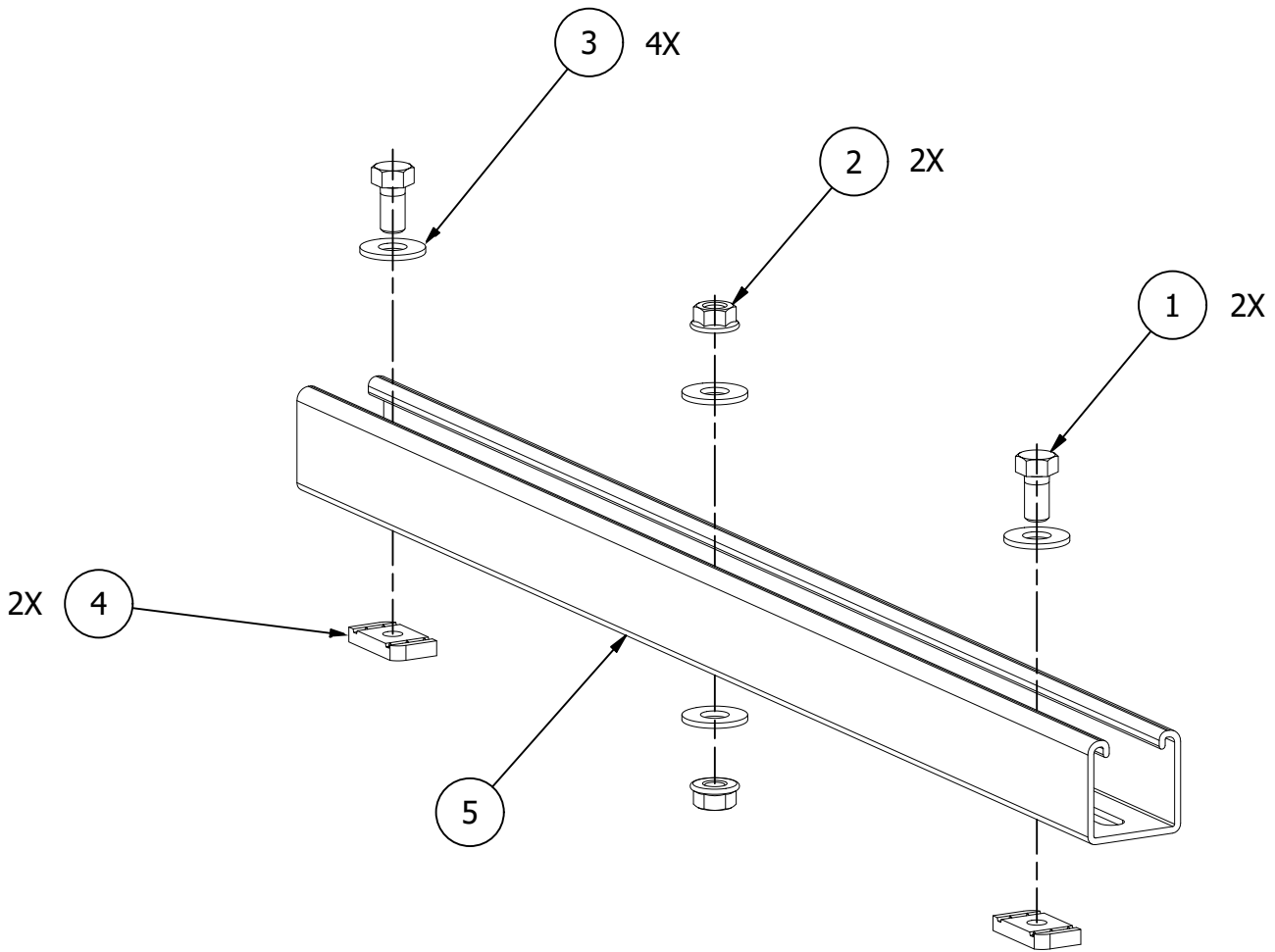


ASSEMBLY # TABLE	
P/N	DESCRIPTION
310771	RM10 ATTACHMENT KIT



ATTACHMENT PARTS LIST			
ITEM	QTY	PART NUMBER	DESCRIPTION
1	2	M30304	3/8-16 X 3/4 HEX BOLT, SS
2	2	M31184	3/8-16 HEX FLANGE NUT, SS
3	4	M31130	3/8 WASHER, SS
4	2	M30383	3/8-16 STRUT NUT, ZN
5	1	M40600	1 5/8 X 1 5/8 X 24 IN STRUT, GALV



1411 BROADWAY BLVD. NE
 ALBUQUERQUE, NM 87102 USA
 PHONE: 505.242.6411
 WWW.UNIRAC.COM

PRODUCT LINE:	RM10 EVO
DRAWING TYPE:	ASSEMBLY
DESCRIPTION:	RM10 ATTACHMENT KIT
REVISION DATE:	12/10/2021

DRAWING NOT TO SCALE ALL DIMENSIONS ARE NOMINAL
PRODUCT PROTECTED BY ONE OR MORE US PATENTS
LEGAL NOTICE

EVO-A09
SHEET