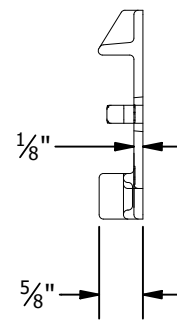
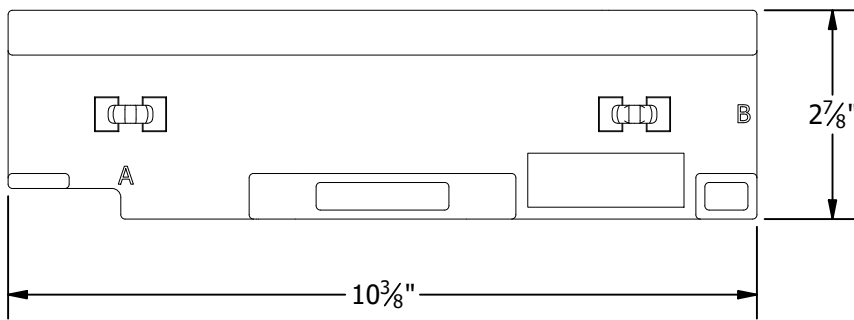
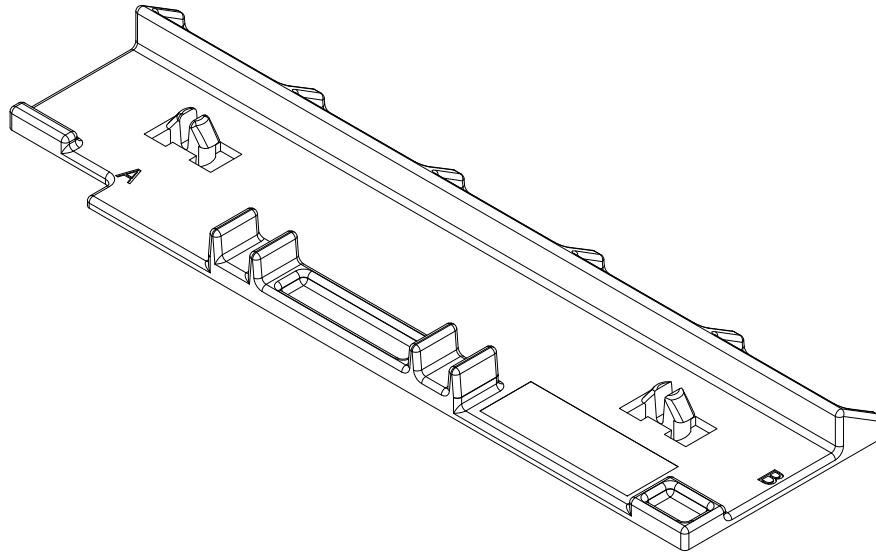


PART # TABLE	
P/N	DESCRIPTION
310760	RM10 ROOF PAD



NOTES:

1. MATERIAL: TPE 70 SHORE A: SANTOPRENE 201-73, ELASTOCON 2870 OR UNISOFT TPE ST-70A BK-2-01.
2. FINISH: BLACK



1411 BROADWAY BLVD. NE
 ALBUQUERQUE, NM 87102 USA
 PHONE: 505.242.6411
 WWW.UNIRAC.COM

PRODUCT LINE:	RM10 EVO
DRAWING TYPE:	PART
DESCRIPTION:	RM10 ROOF PAD
REVISION DATE:	12/10/2021

DRAWING NOT TO SCALE
 ALL DIMENSIONS ARE
 NOMINAL

PRODUCT PROTECTED BY
 ONE OR MORE US PATENTS
 LEGAL NOTICE

EVO-P01

SHEET